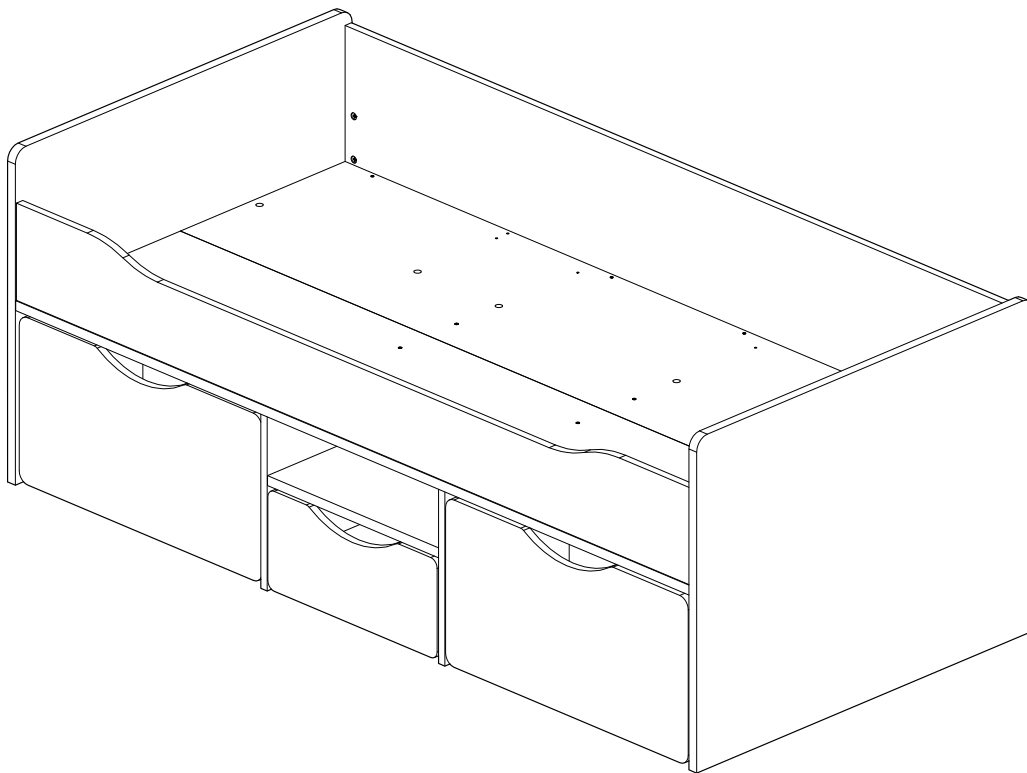


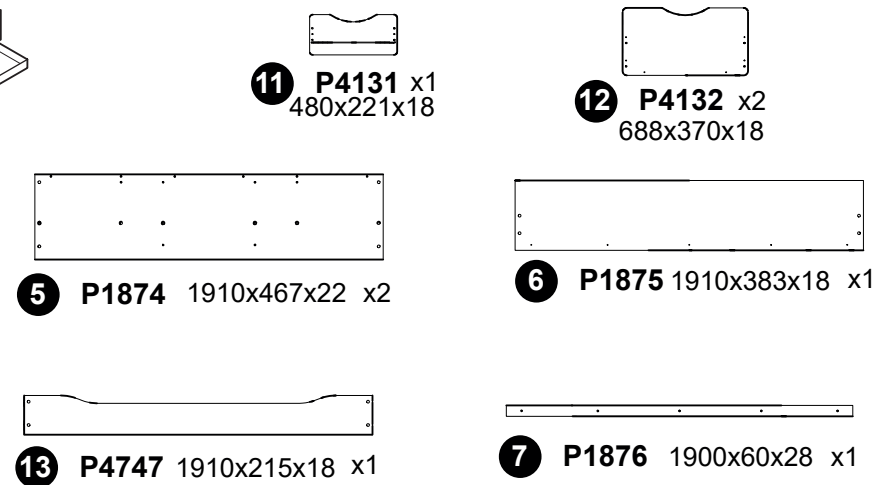
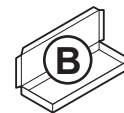
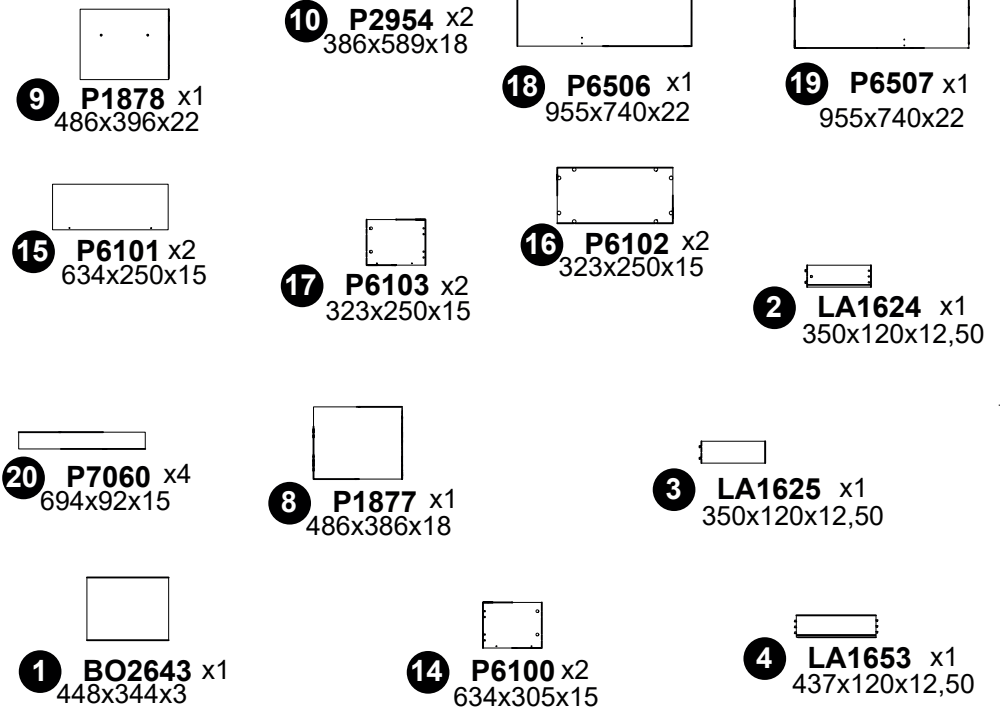
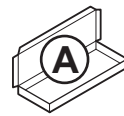
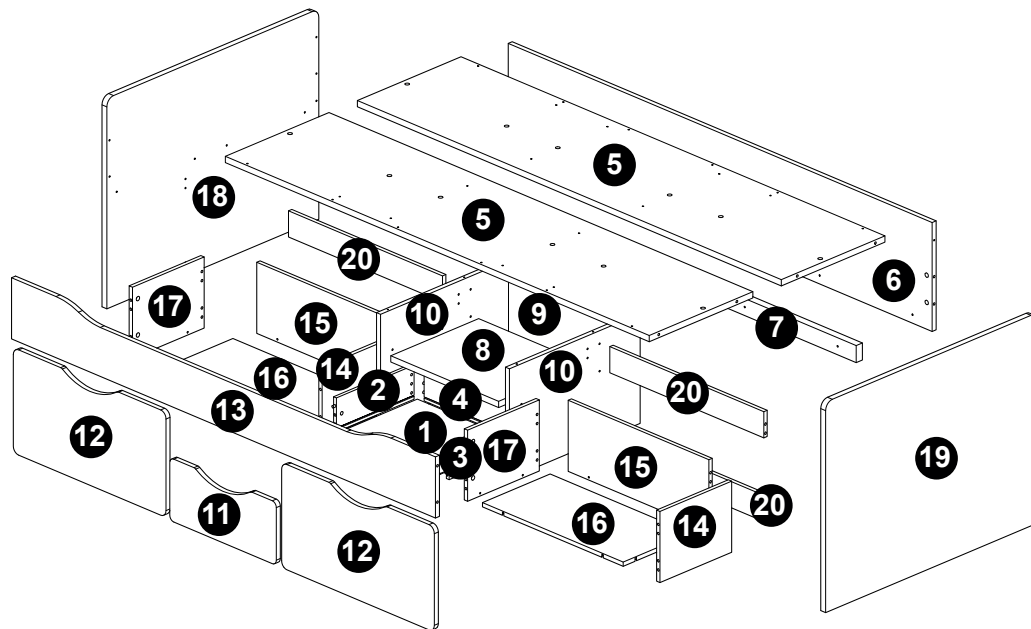
Tolgabed



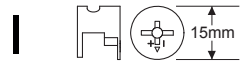
Nijpels Meubelen B.V.
NL 4612 PR 9
www.nijpels.nl

A		PM1517LA x1
B		PM1517LB x1
C		PM1517RA x1
D		PM1517RB x1
E		FK1329 x5 Ø4,5 x 45mm
F		FK1006 x14 Ø4 x 45mm
G		FK1011 x42 Ø5 x 24mm (11)
H		FK1010 x2 Ø12 x 10mm
I		FK1012 x40 Ø15 x 12mm
J		FK10561 x16 Ø5 x 11mm
K		FK1051 x16 Ø20 x 12mm
L		FK1005 x16 Ø5 x 40mm
M		FK1400 x4 Ø4 x 15mm
N		FK1311 x34 Ø3 x 15mm
O		FK1301 x4 Ø6,3 x 10mm
P		FK1411 x24 Ø8 x 30mm
Q		FK1410 x2 Ø5 x 30mm
R		FK1082 x2 Ø5 x 9mm
S		FK1250 x4
T		FK1235 x2
U		FK1244 x10
V		FA1510 x2
W		FK1013 x1 Hex 3 mm

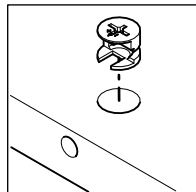
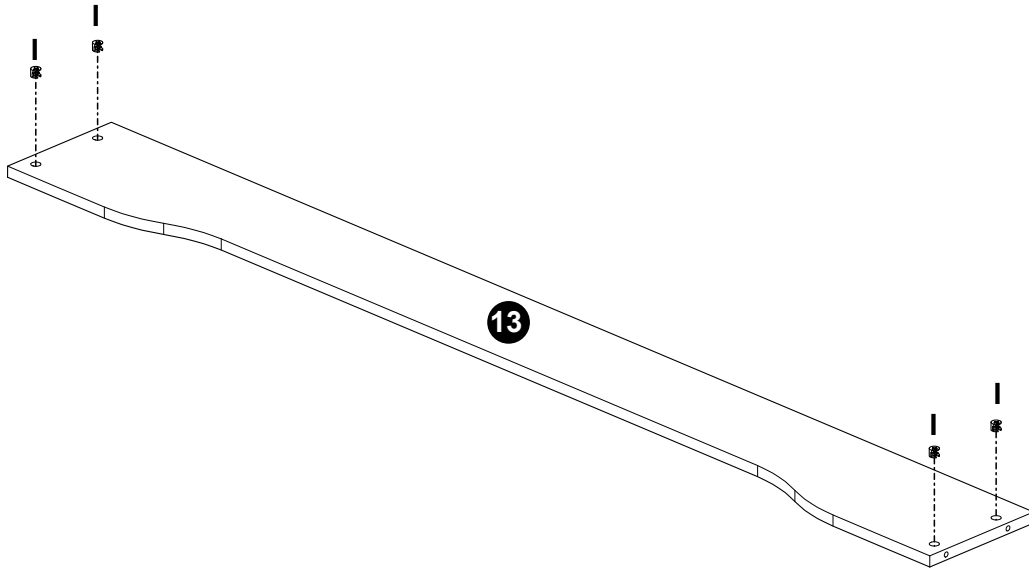
1 BO2643 x1	6 P1875 x1	11 P4131 x1	16 P6102 x2
2 LA1624 x1	7 P1876 x1	12 P4132 x2	17 P6103 x2
3 LA1625 x1	8 P1877 x1	13 P4747 x1	18 P6506 x1
4 LA1653 x1	9 P1878 x1	14 P6100 x2	19 P6507 x1
5 P1874 x2	10 P2954 x2	15 P6101 x2	20 P7060 x4



1

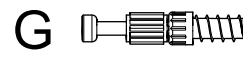


x4

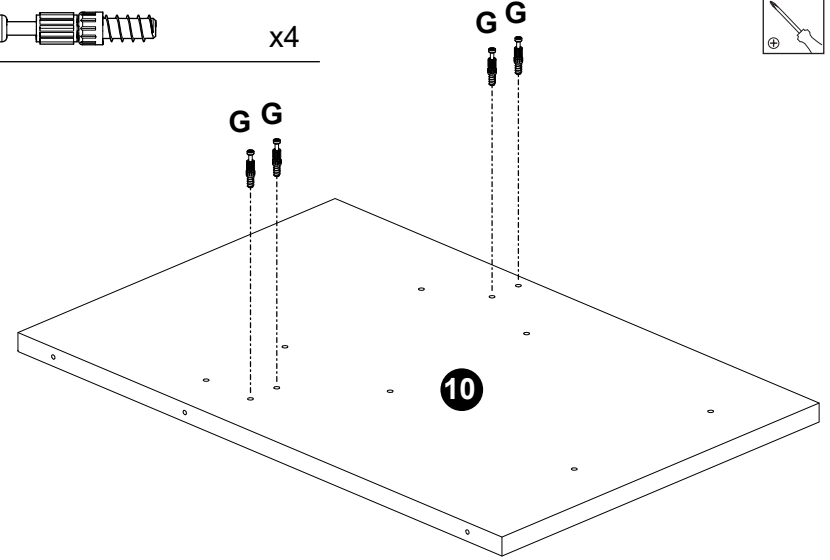
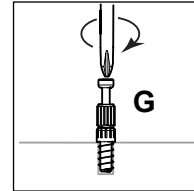


N809 101017

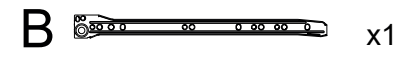
2



x4



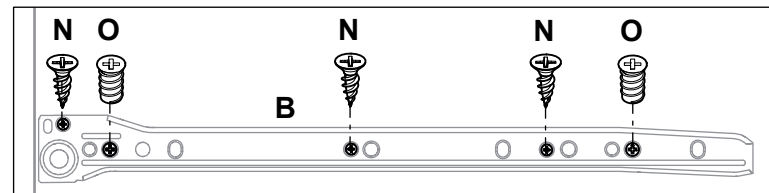
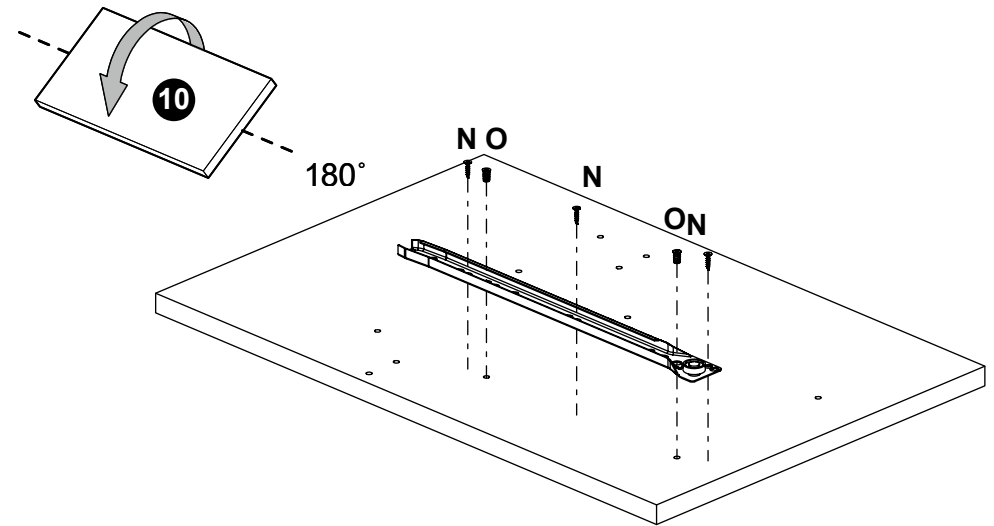
x3



x1

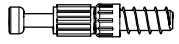


x2



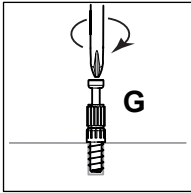
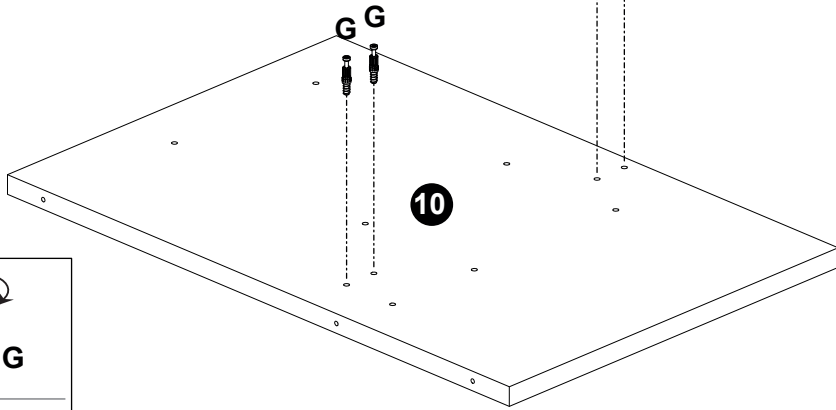
3

G



x4

G G



N



x3

D

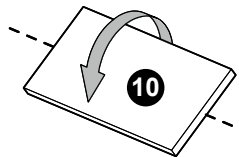


x1

O



x2



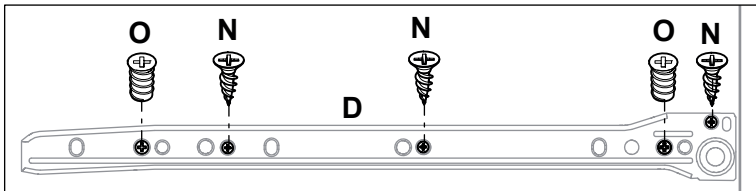
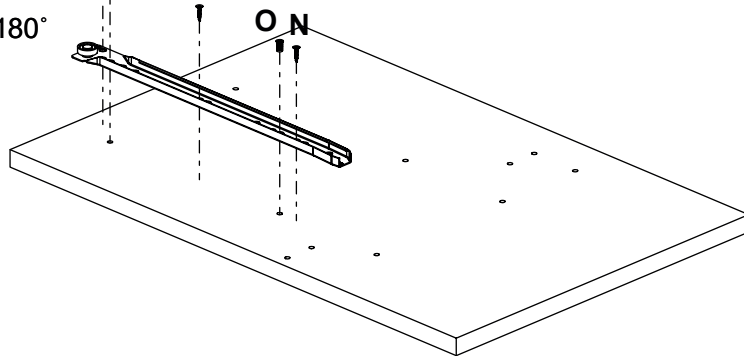
180°

N

O

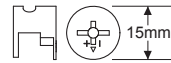
N

O N



4

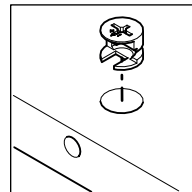
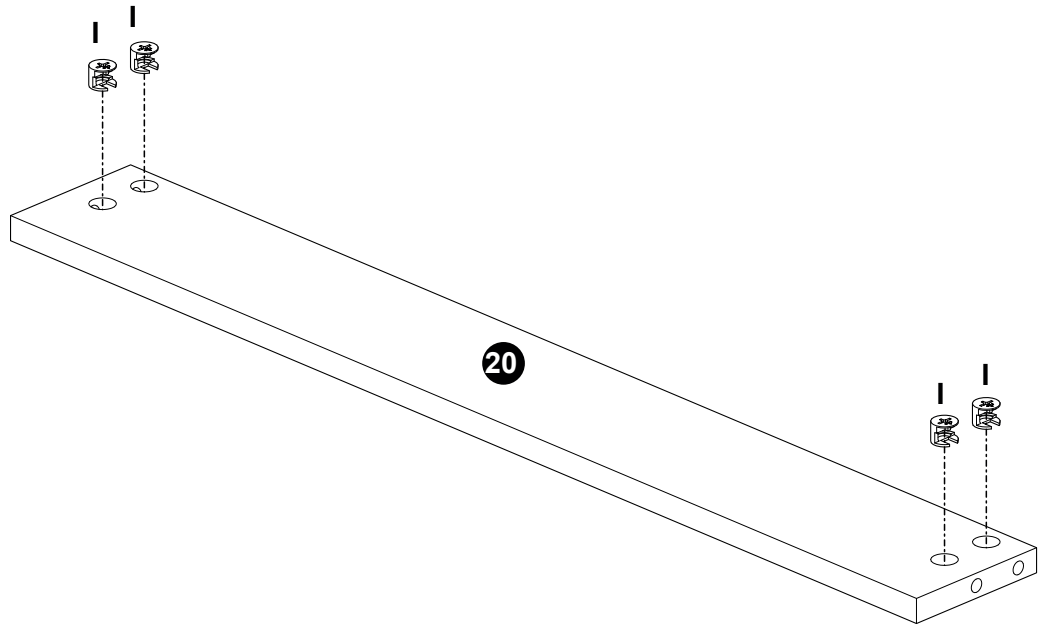
I



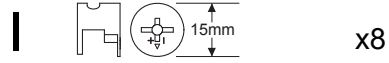
x16



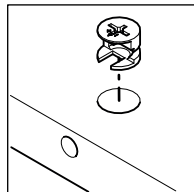
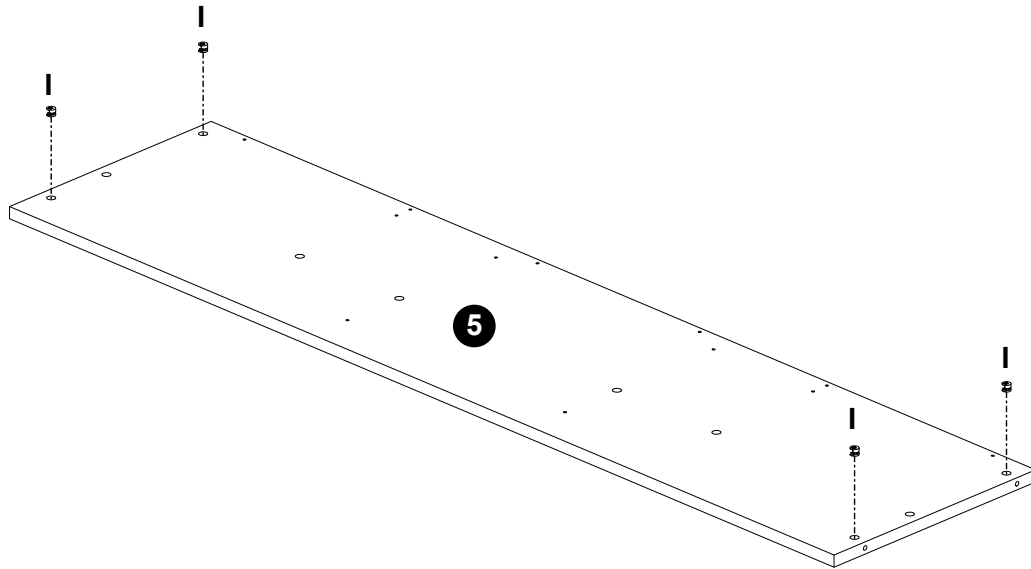
4x



5

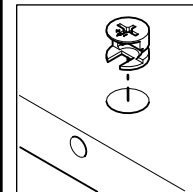
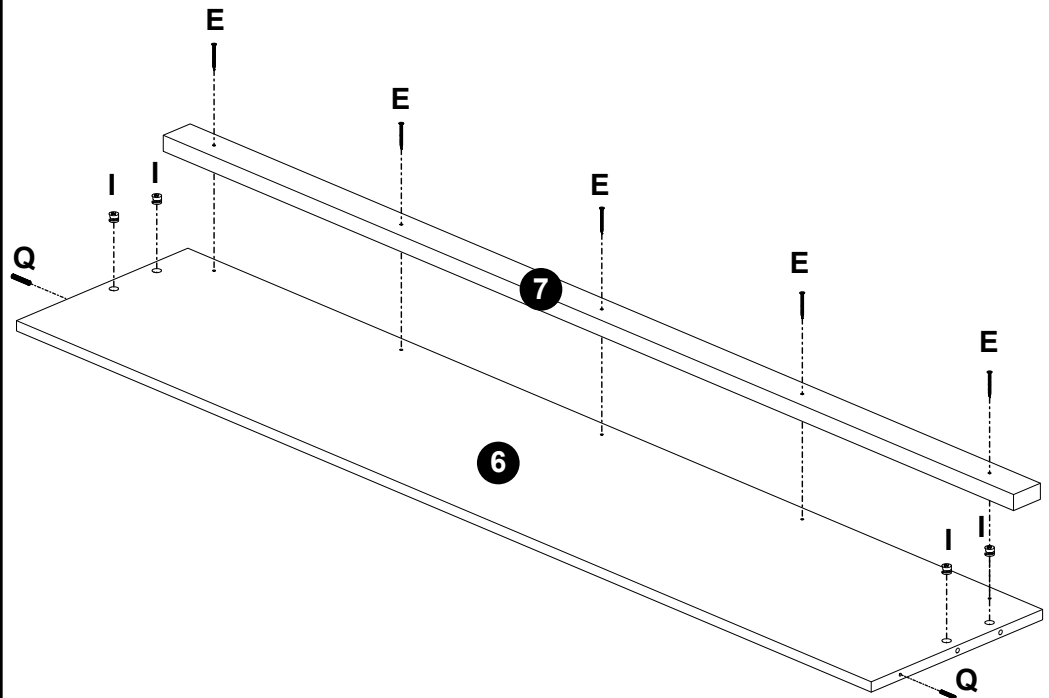
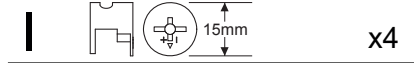
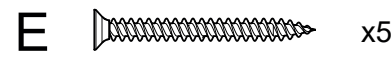


2x



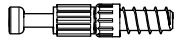
N809 101017

6

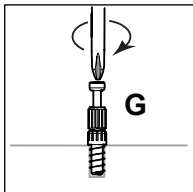
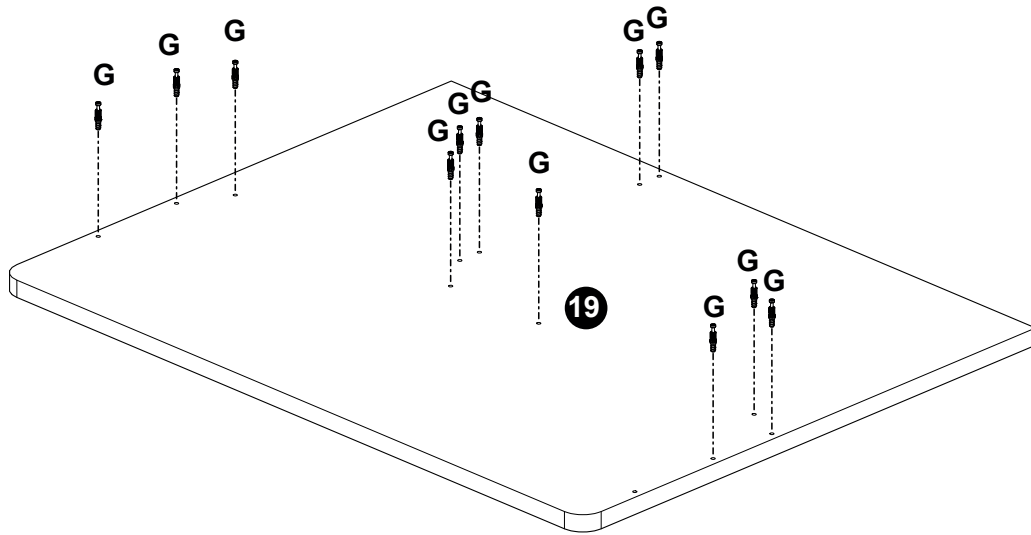


7

G



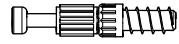
x12



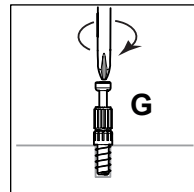
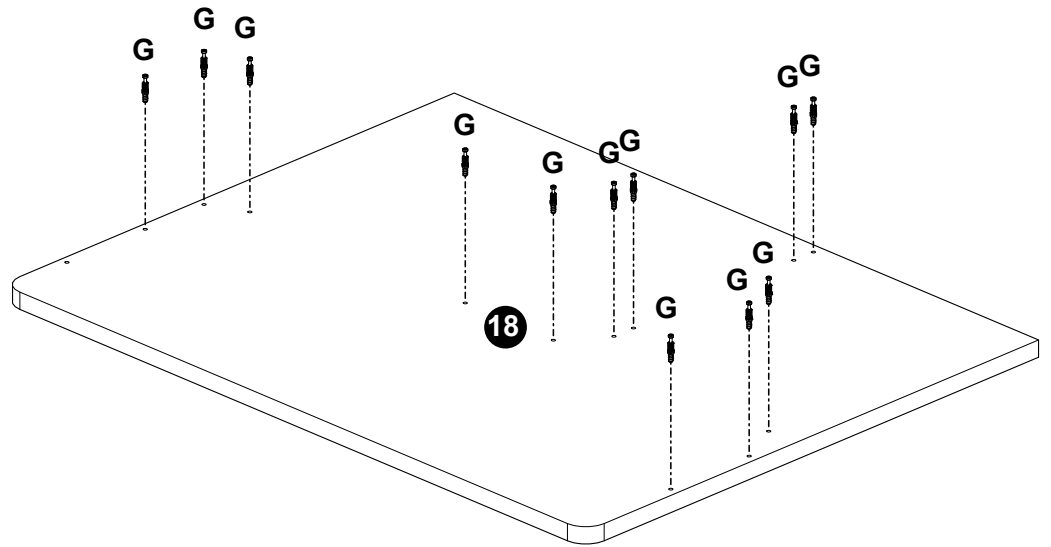
N809 101017

8

G

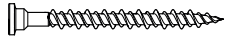


x12

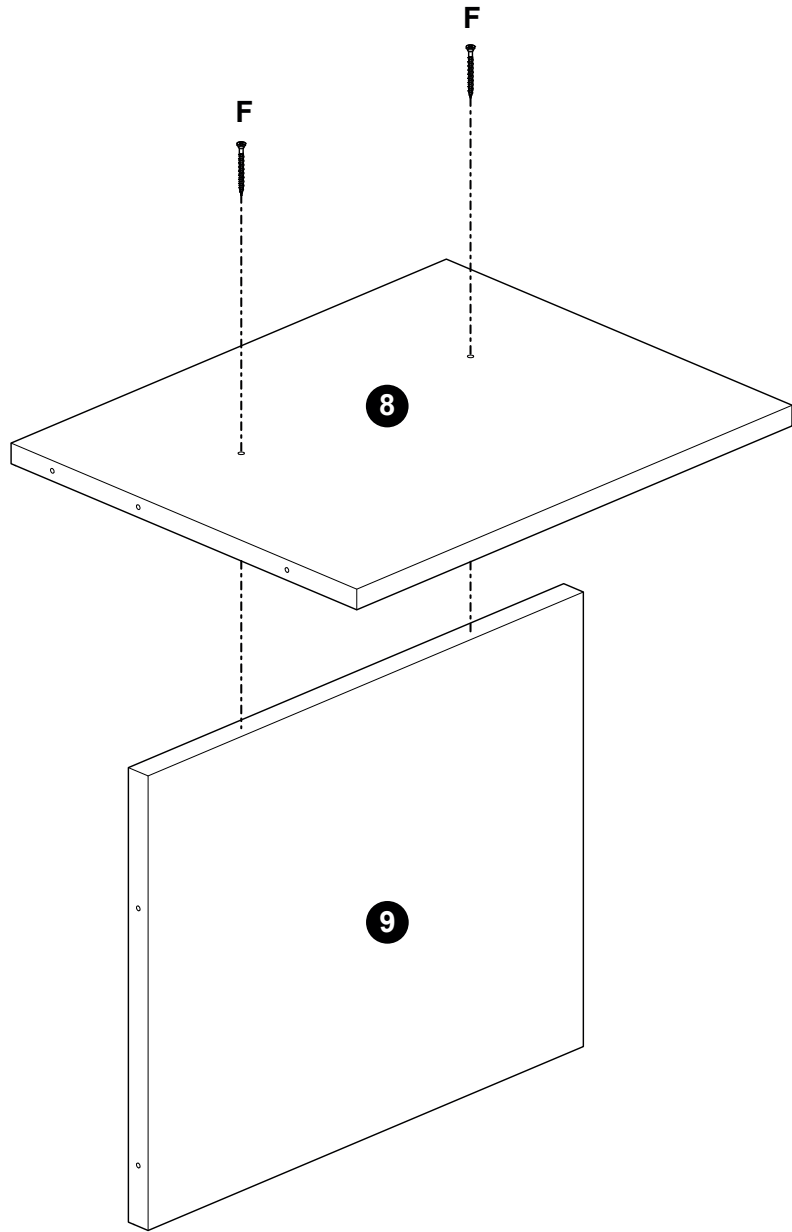


9

F



x2



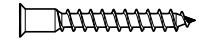
10

W

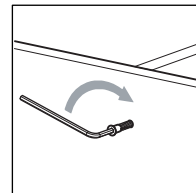
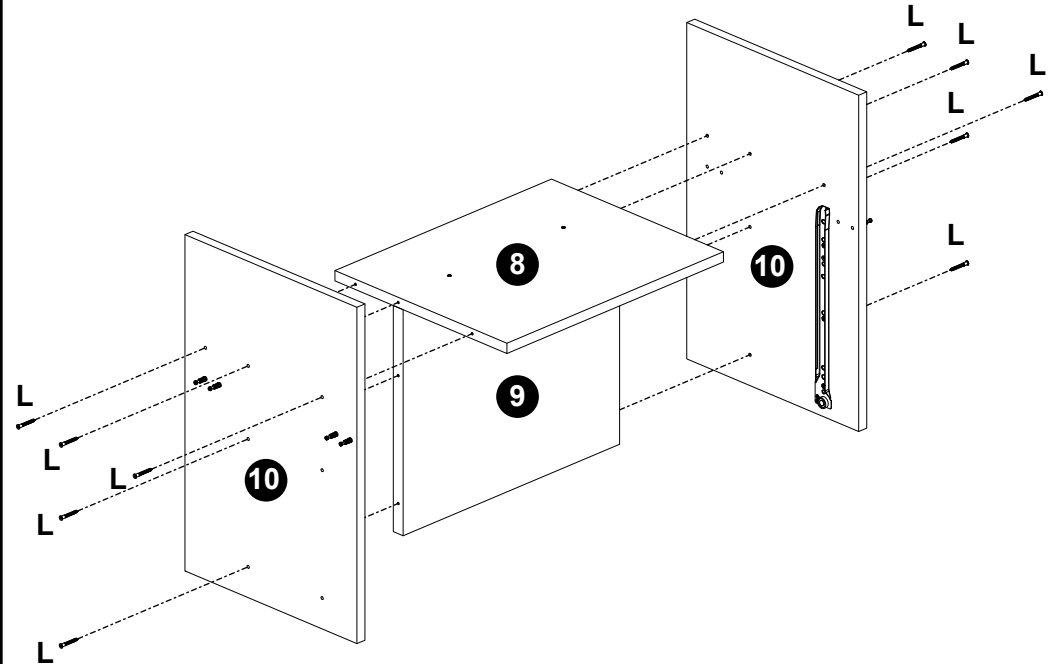


x1

L

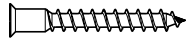


x10



11

L

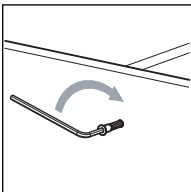
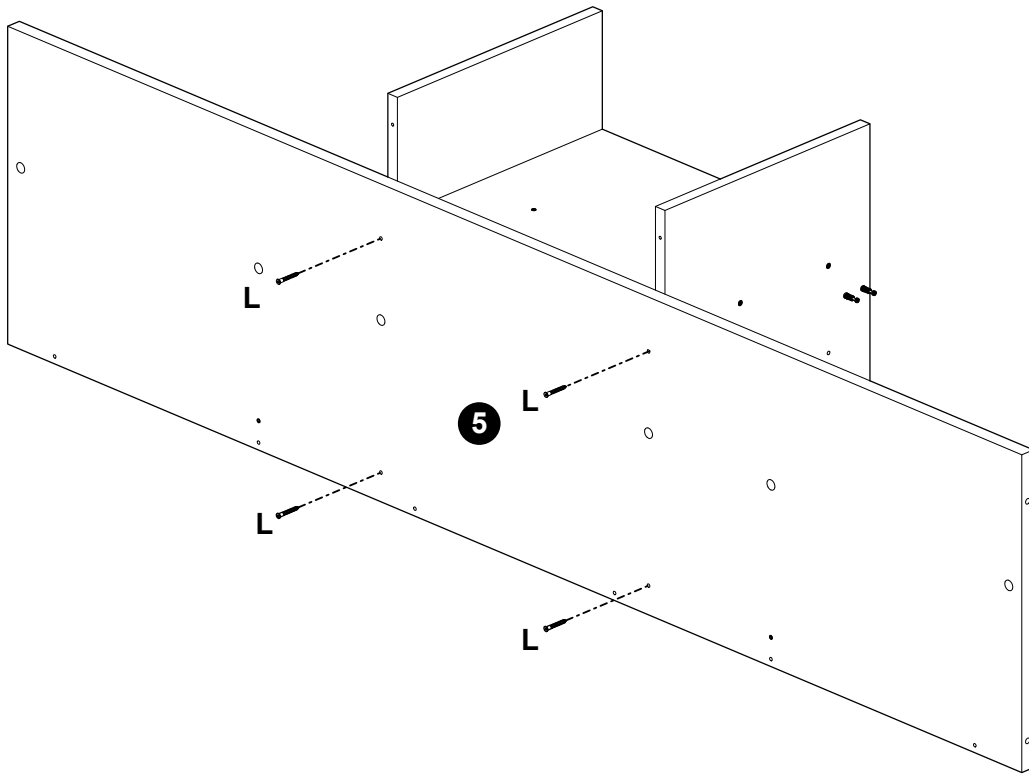


x4

W

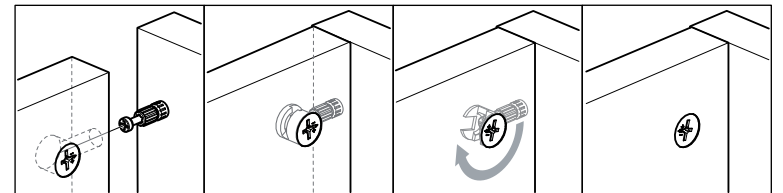
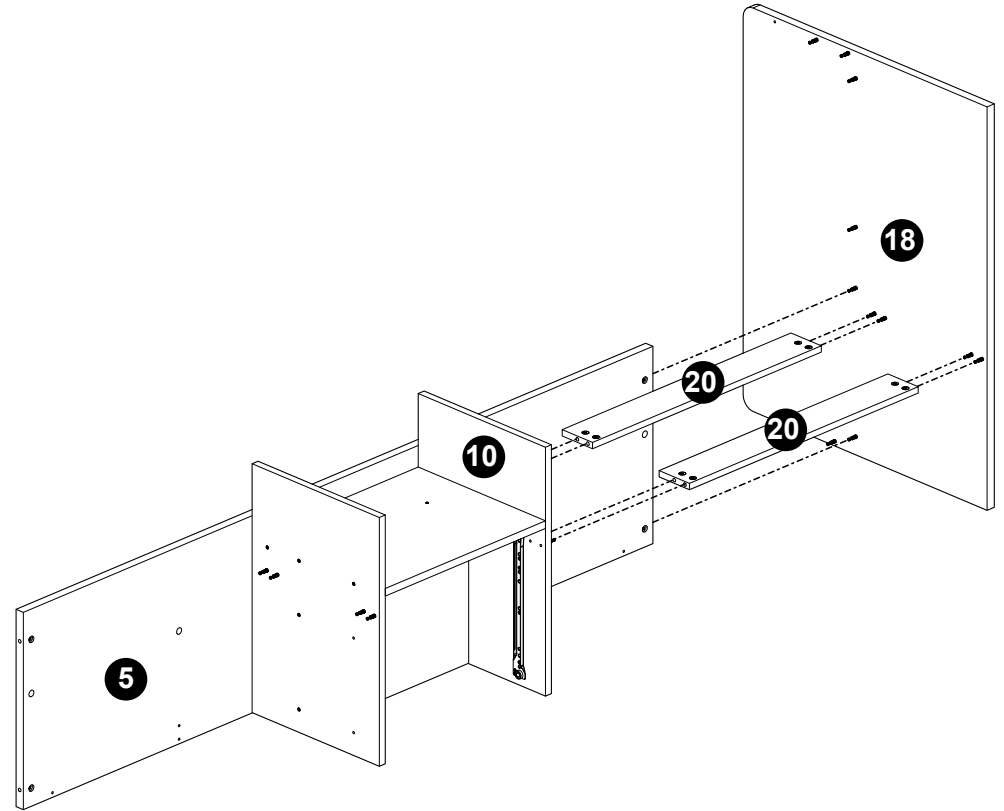


x1

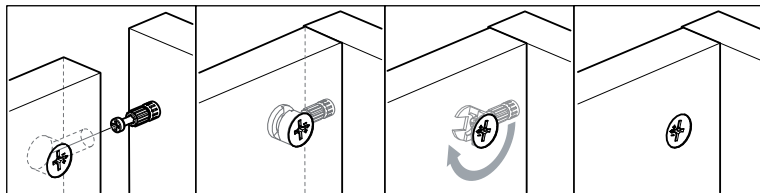
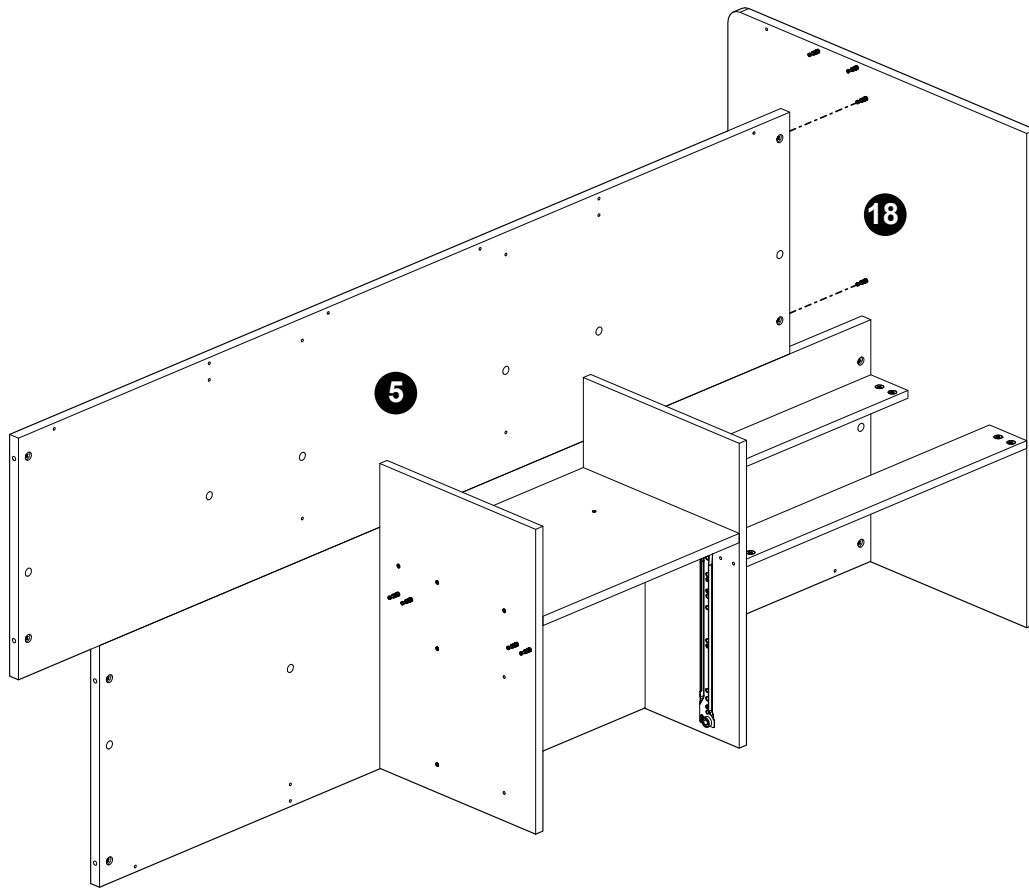


N809 101017

12

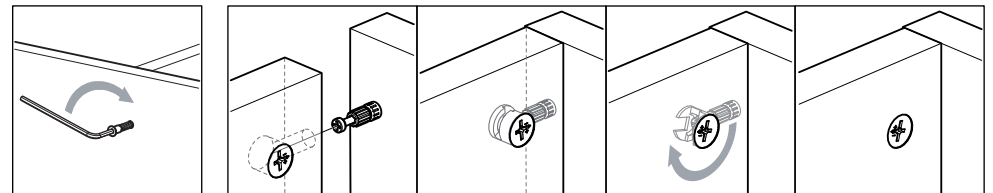
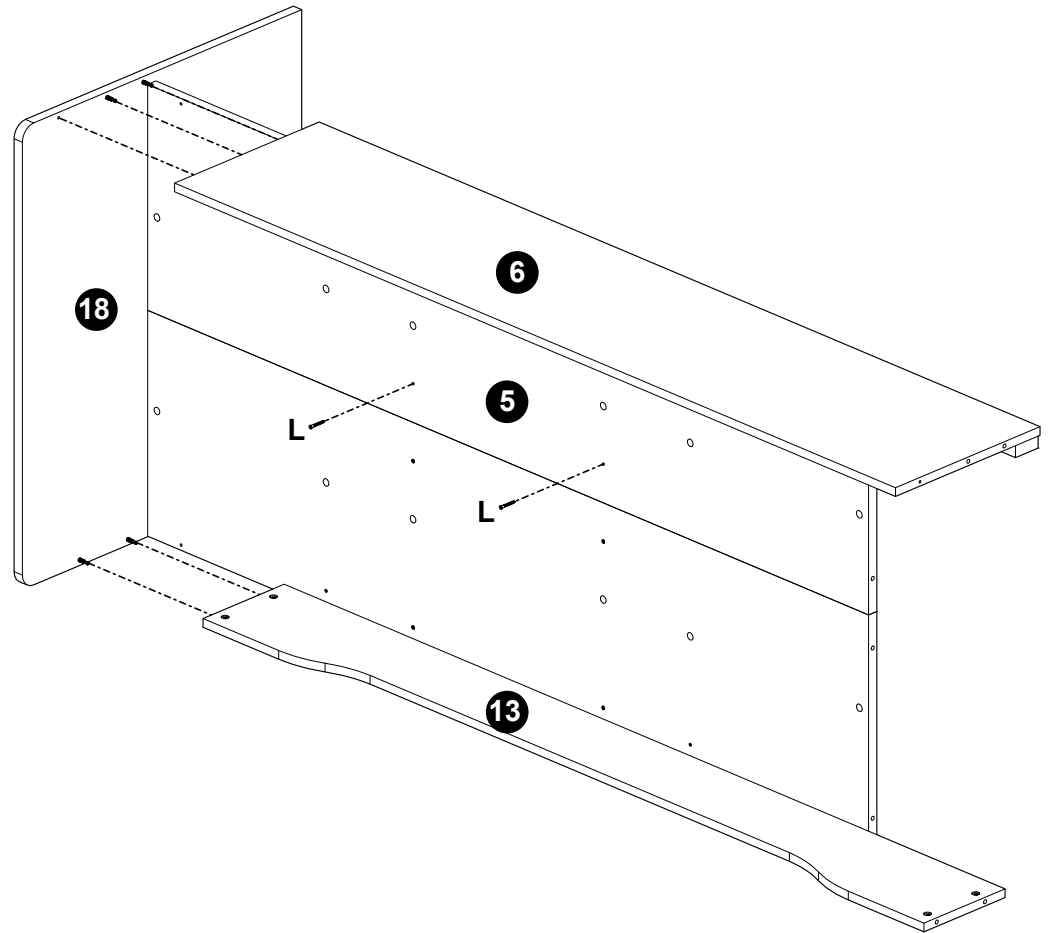


13

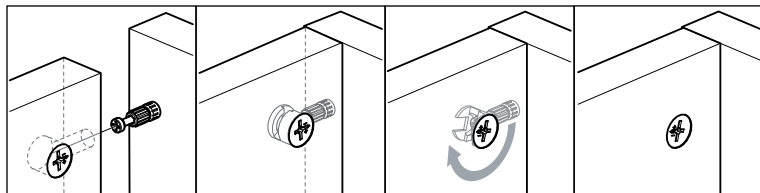
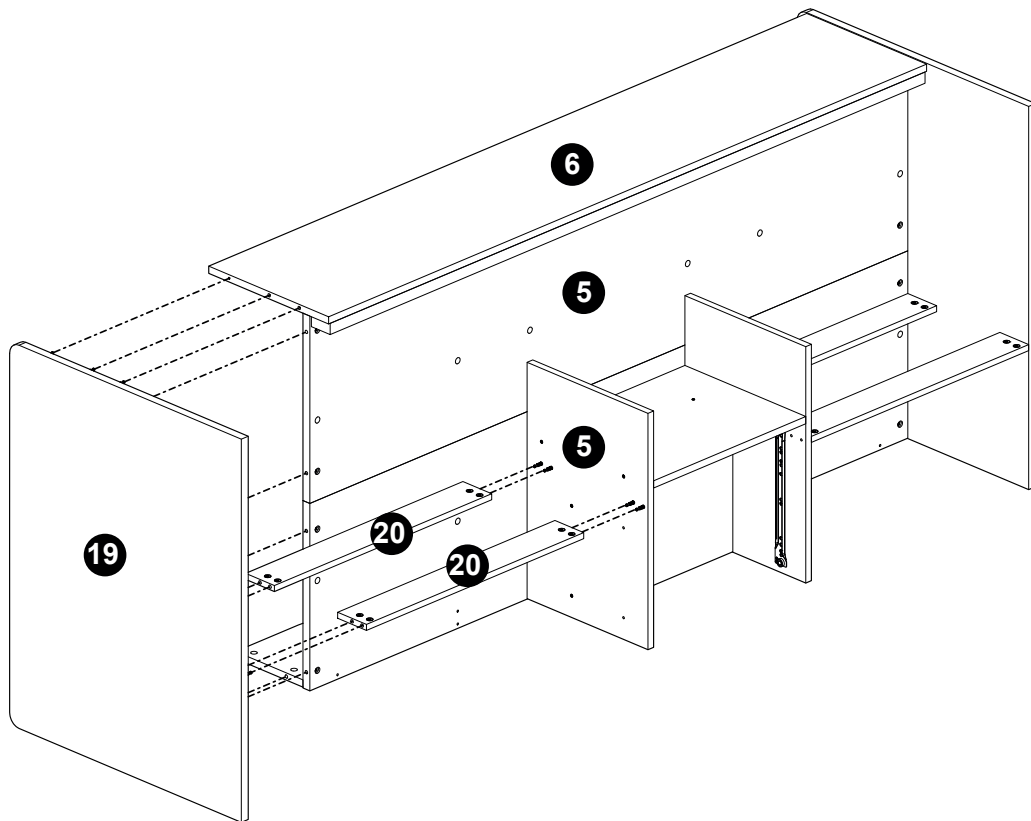


14

L  x2 W  x0



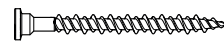
15



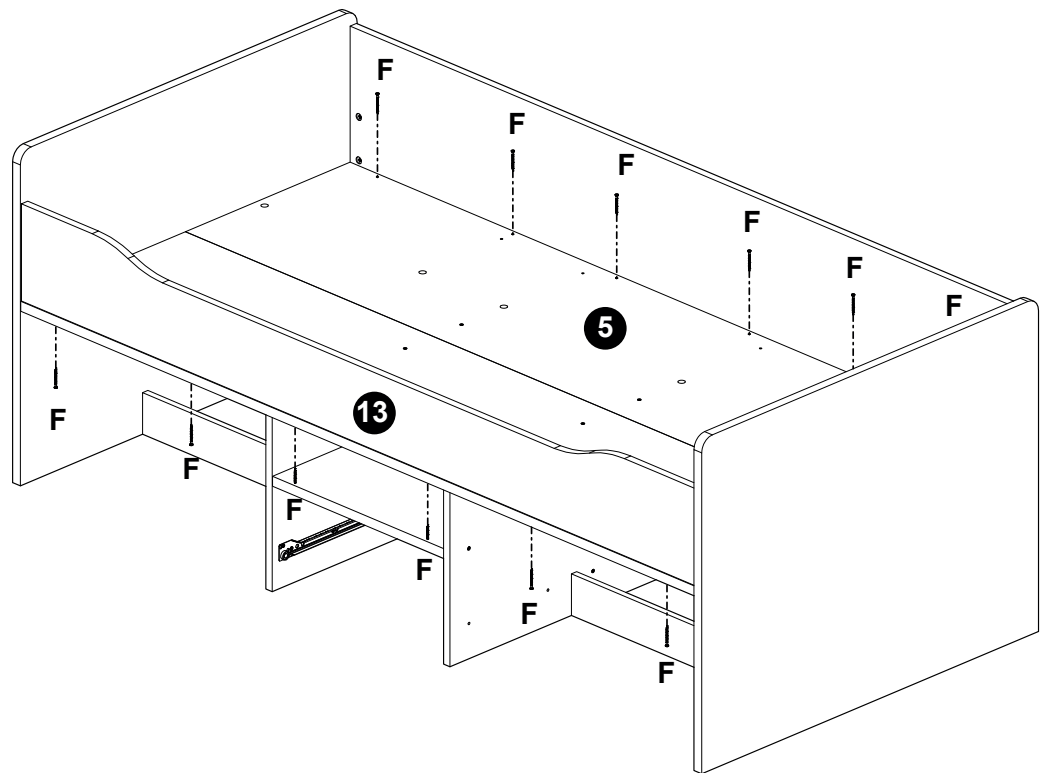
N809 101017

16

F



x12



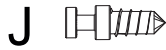
17



x2



x4



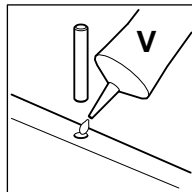
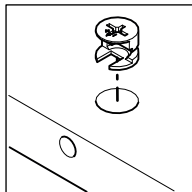
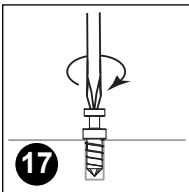
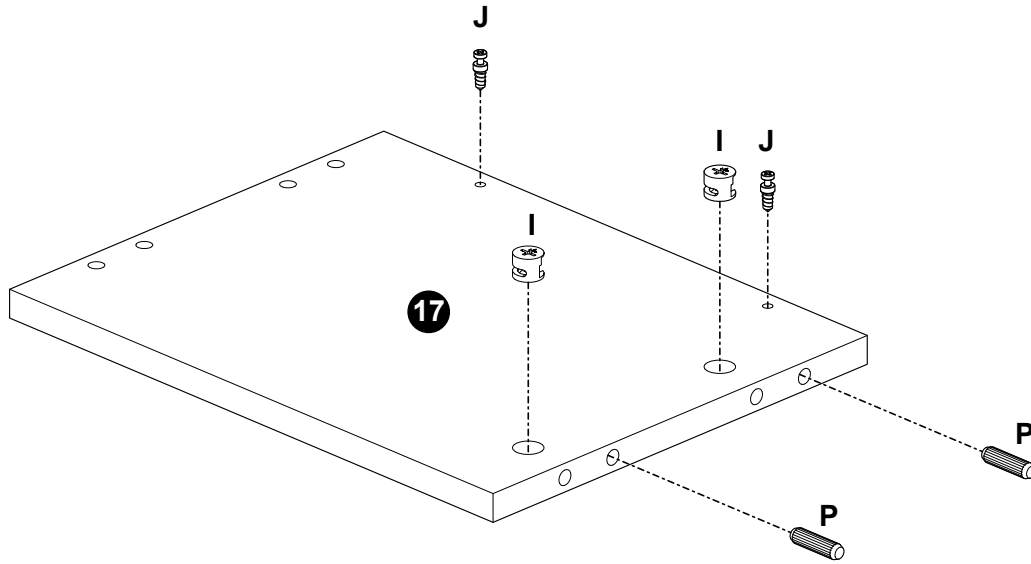
x4



x4



2x

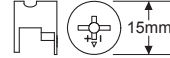


N809 101017

18



x4



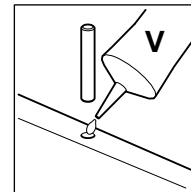
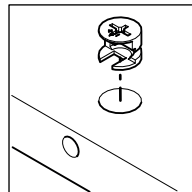
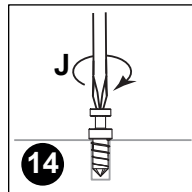
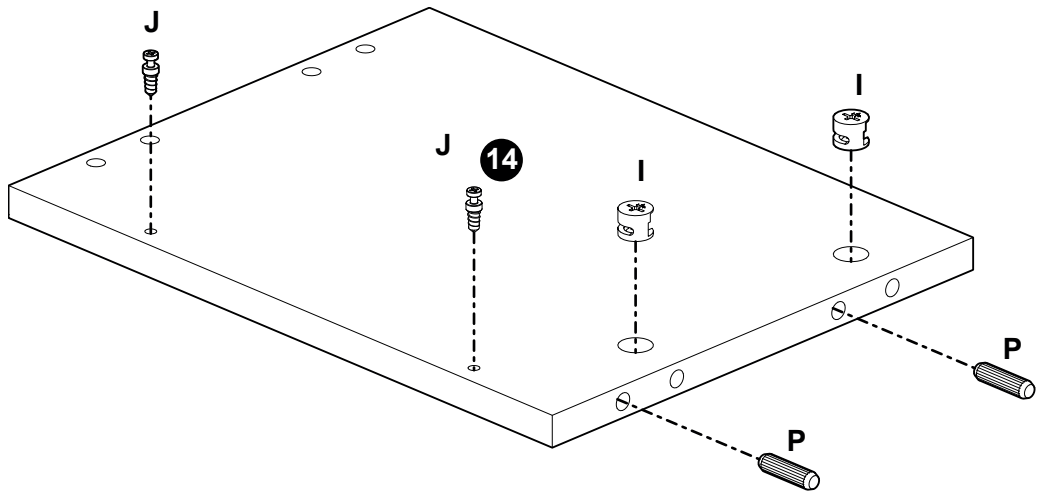
x4



x4



2x



19

N



x20

K



x16



2x

U



x10



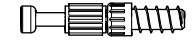
20

J



x4

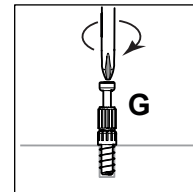
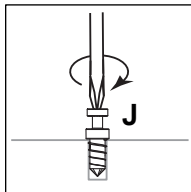
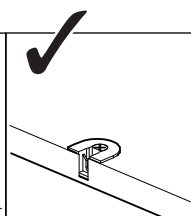
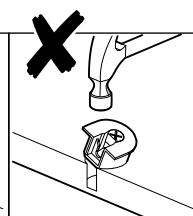
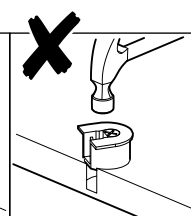
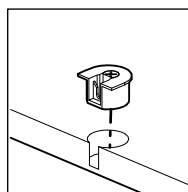
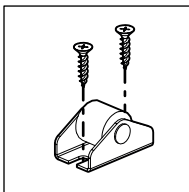
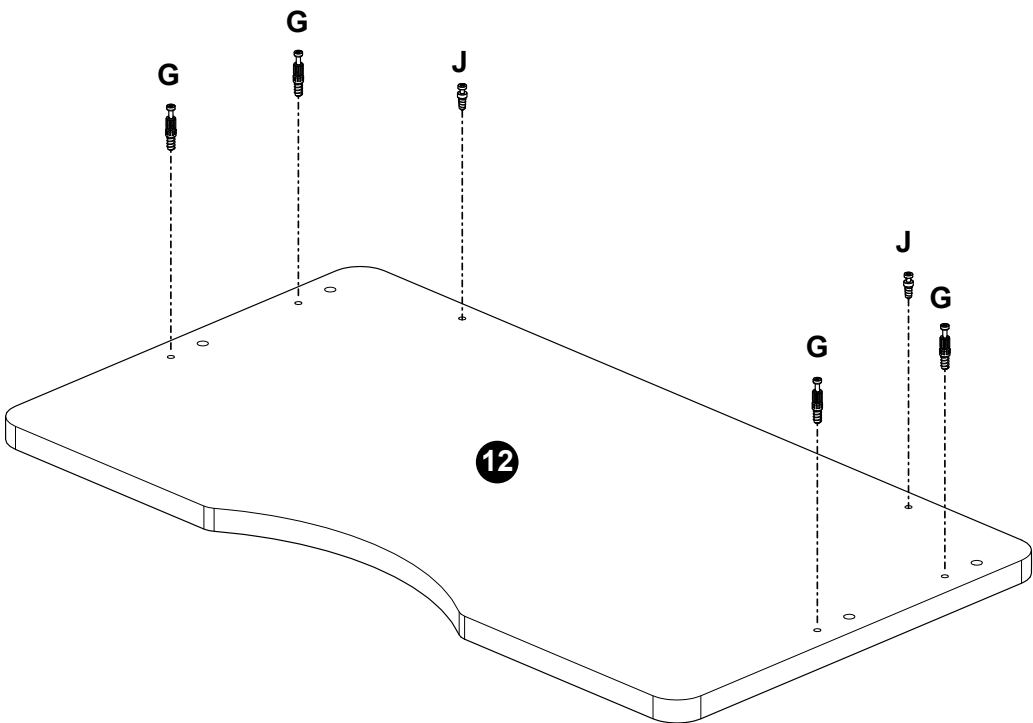
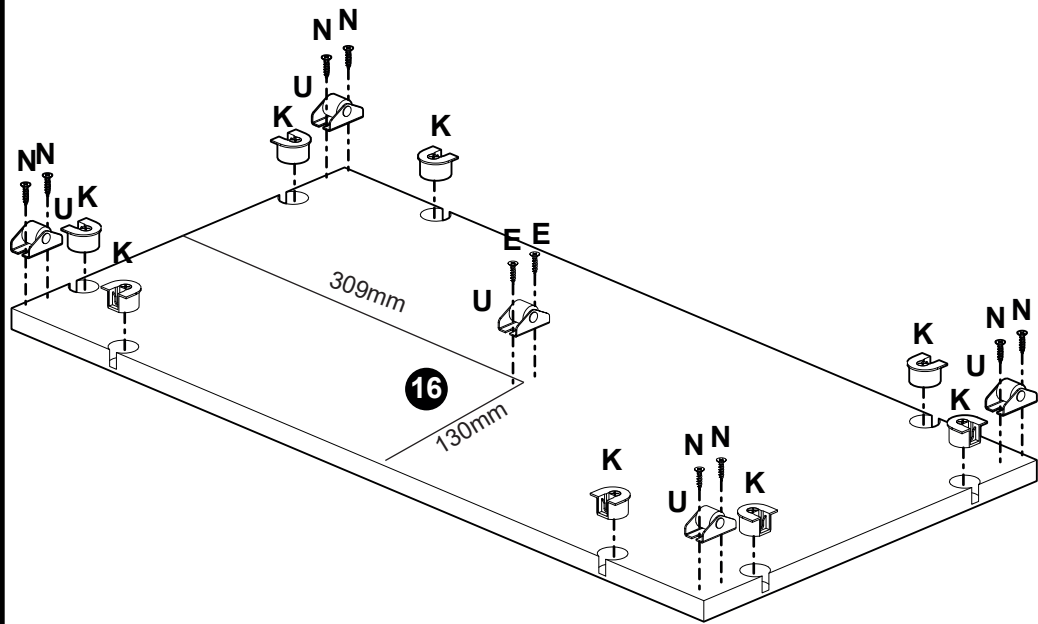
G



x8

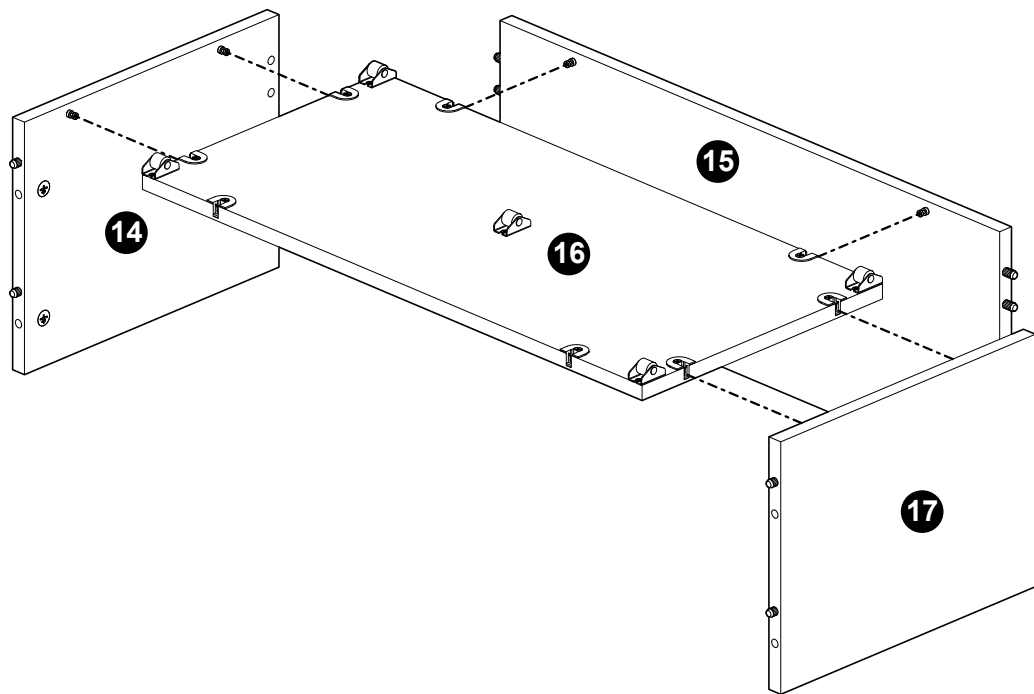


2x



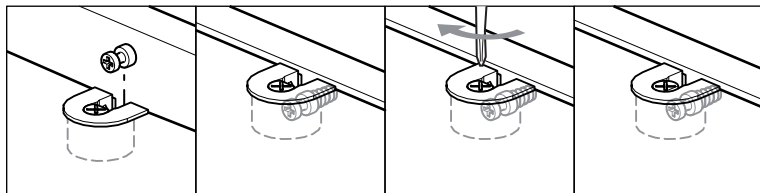
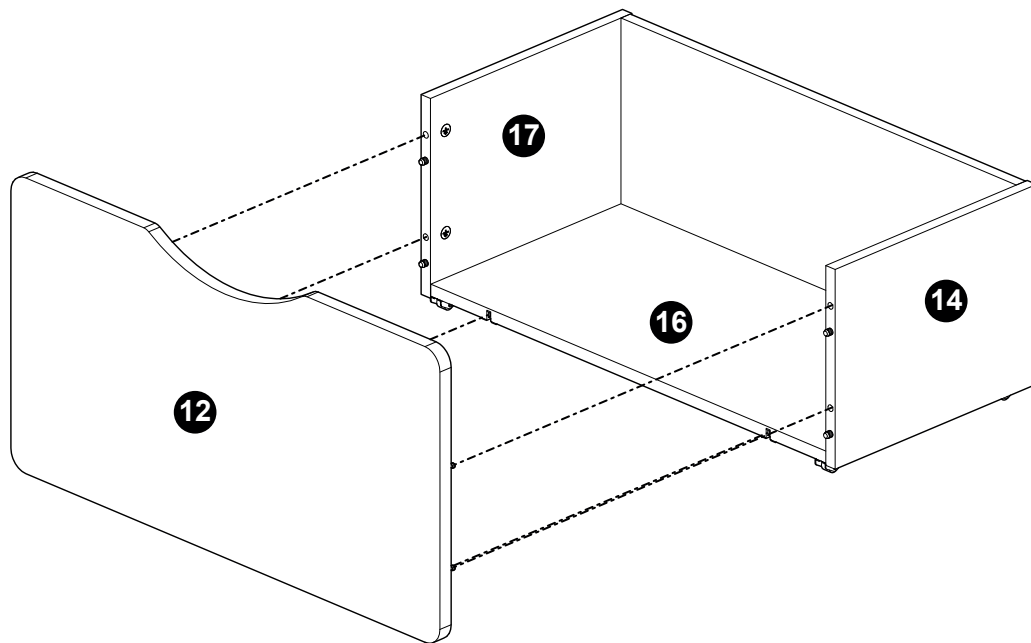
21

2x



22

2x

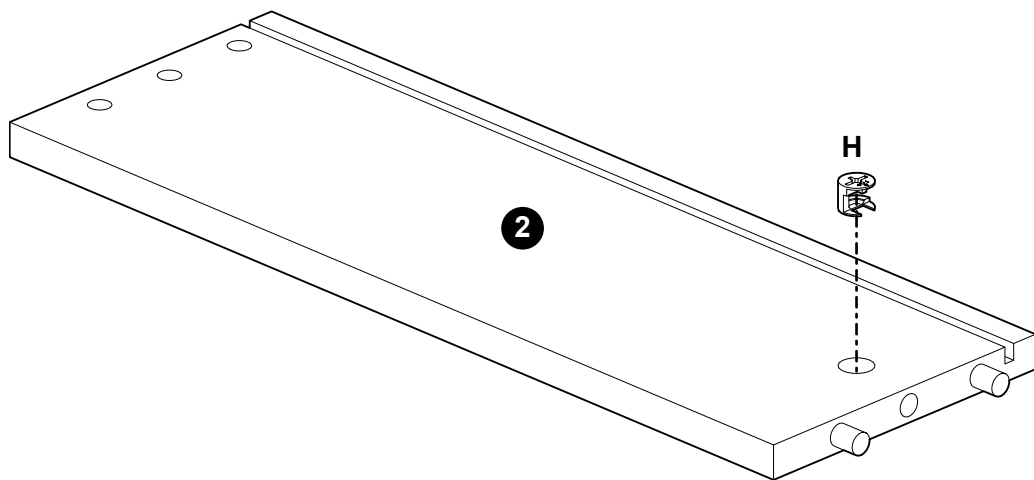


23

H



x1

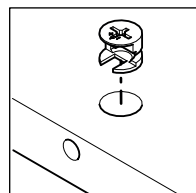
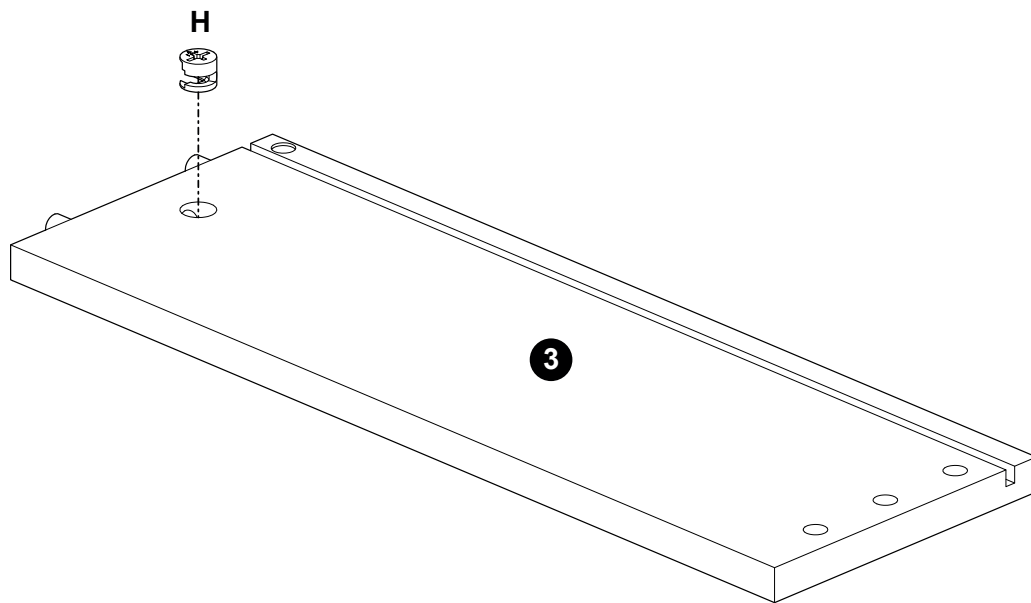


24

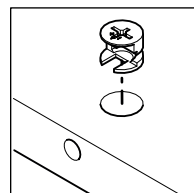
H



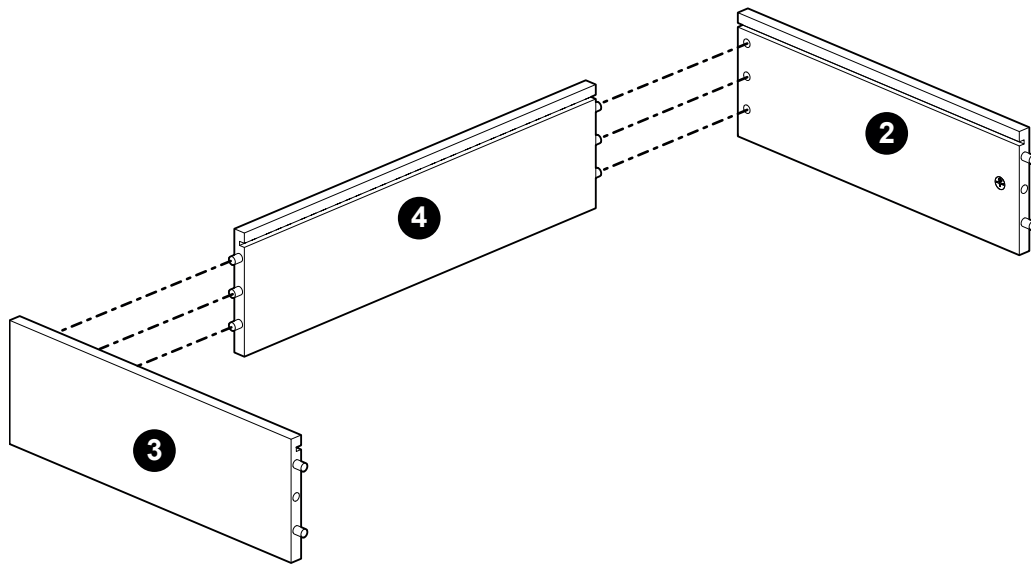
x1



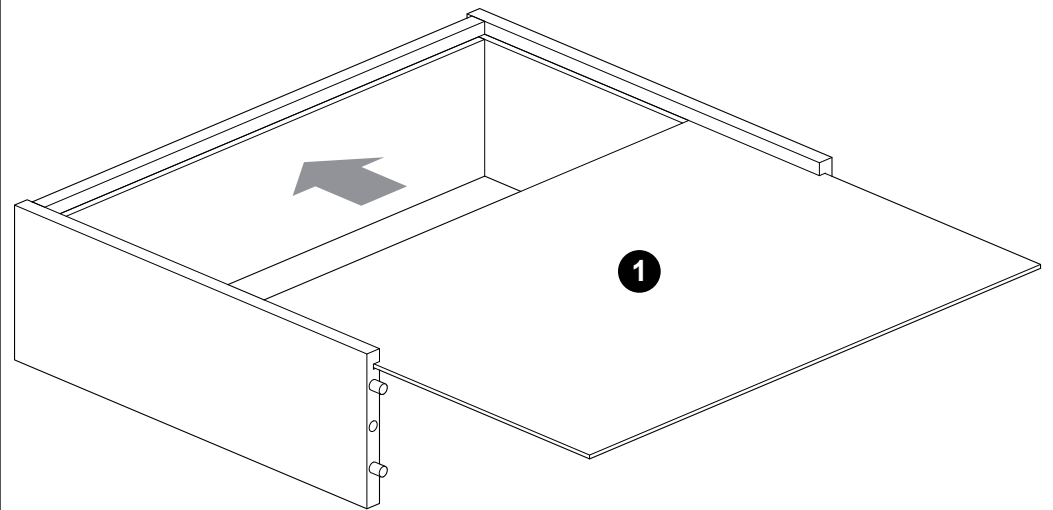
N809 101017



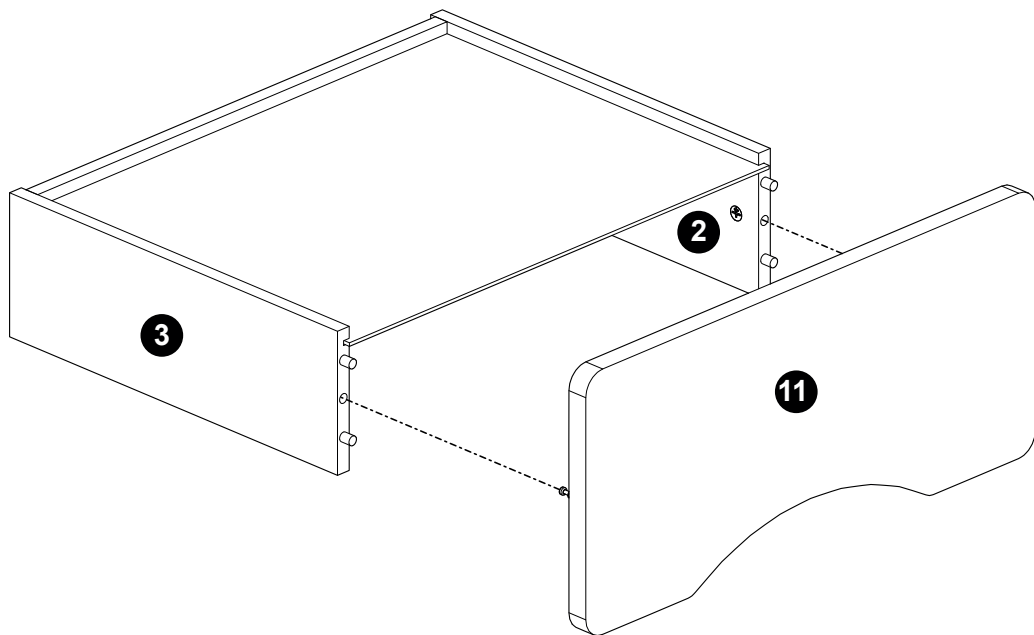
25



26



27

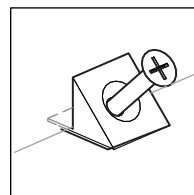
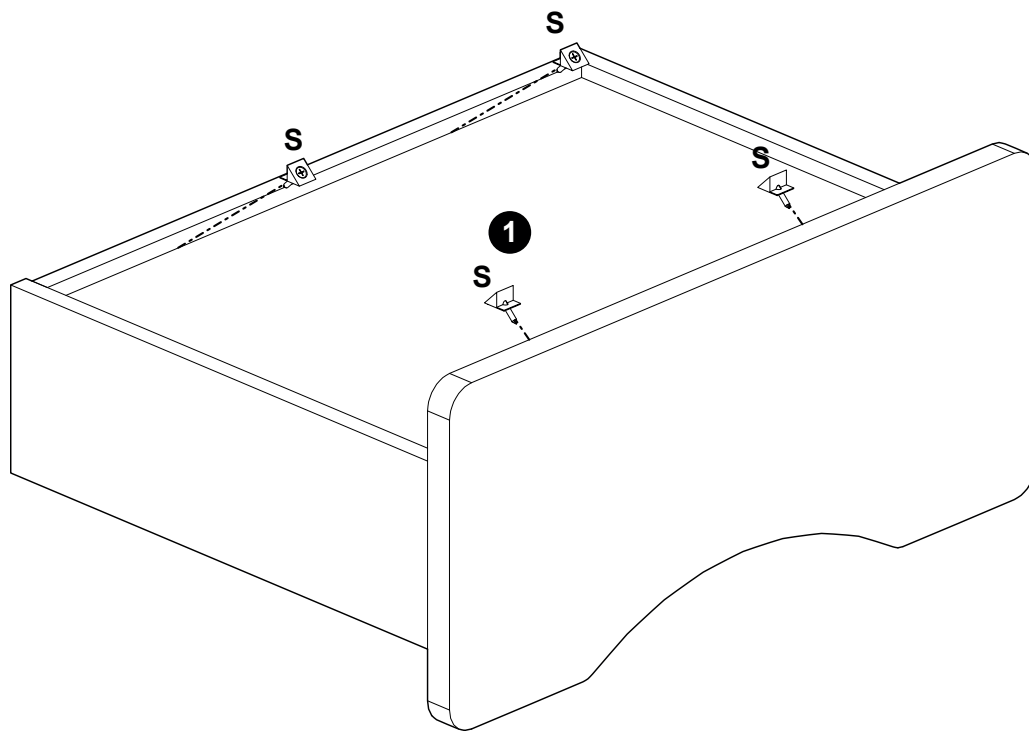


28

S



x4



29

N



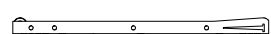
x8

A

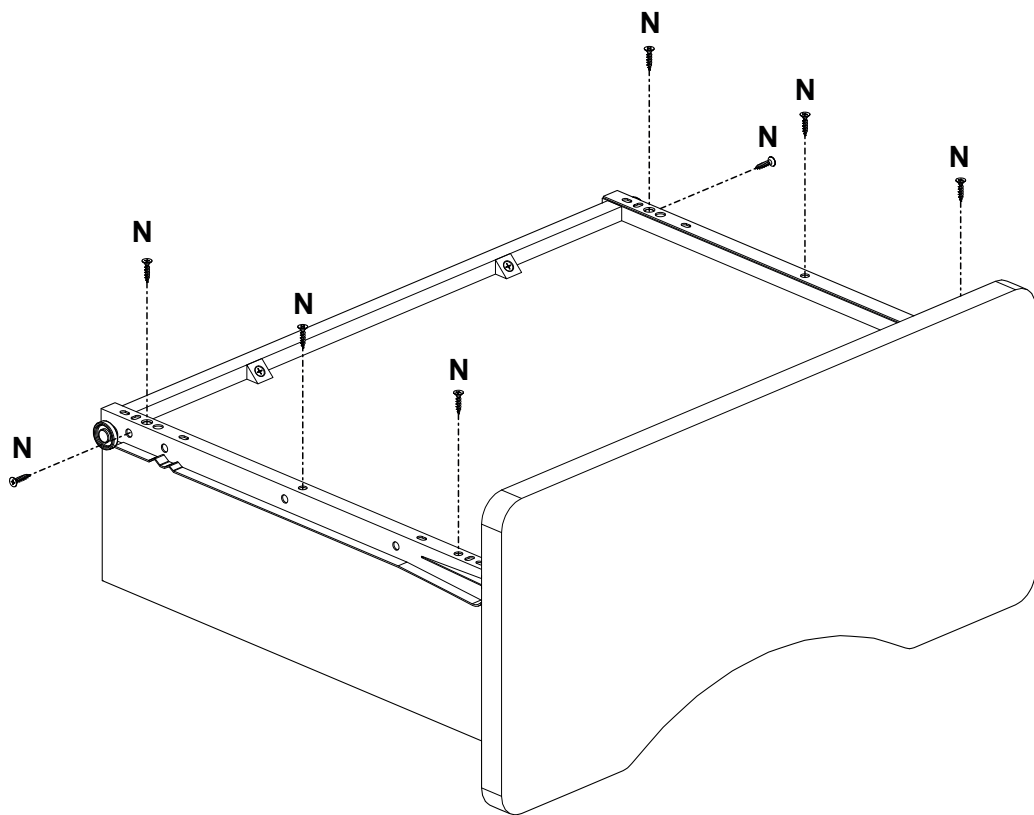


x1

C



x1



30

M



x4

T

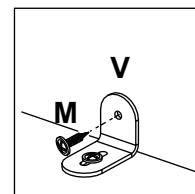
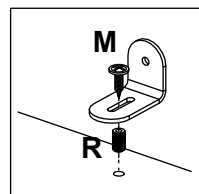
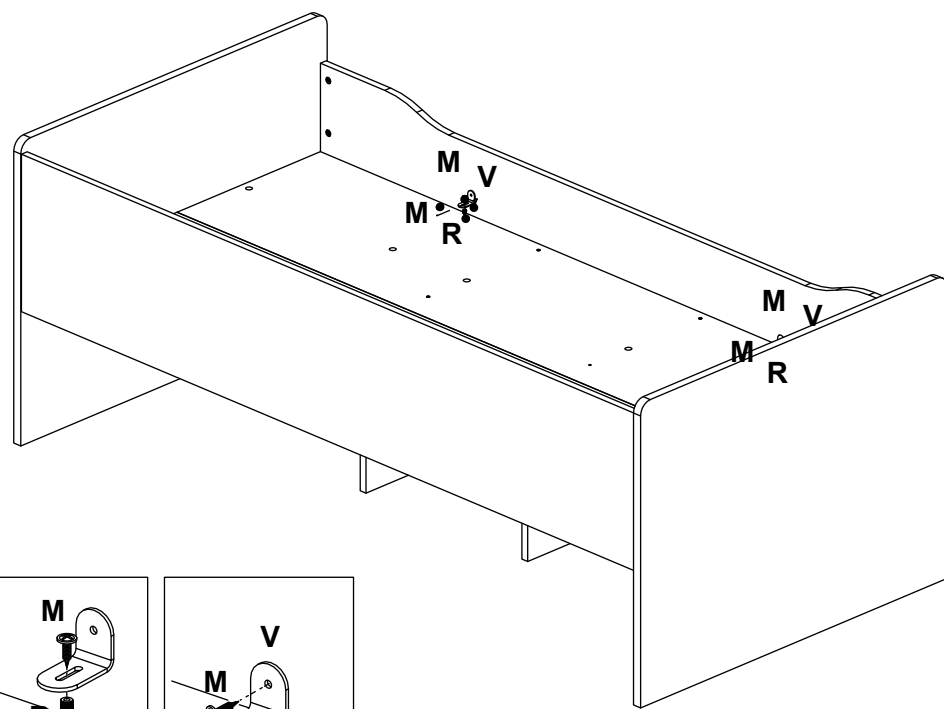


x2

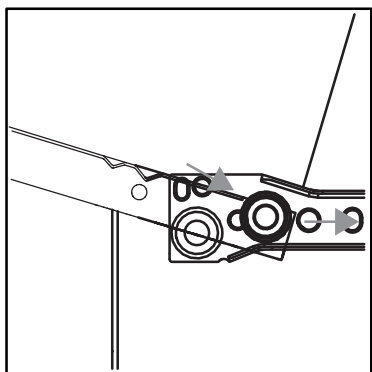
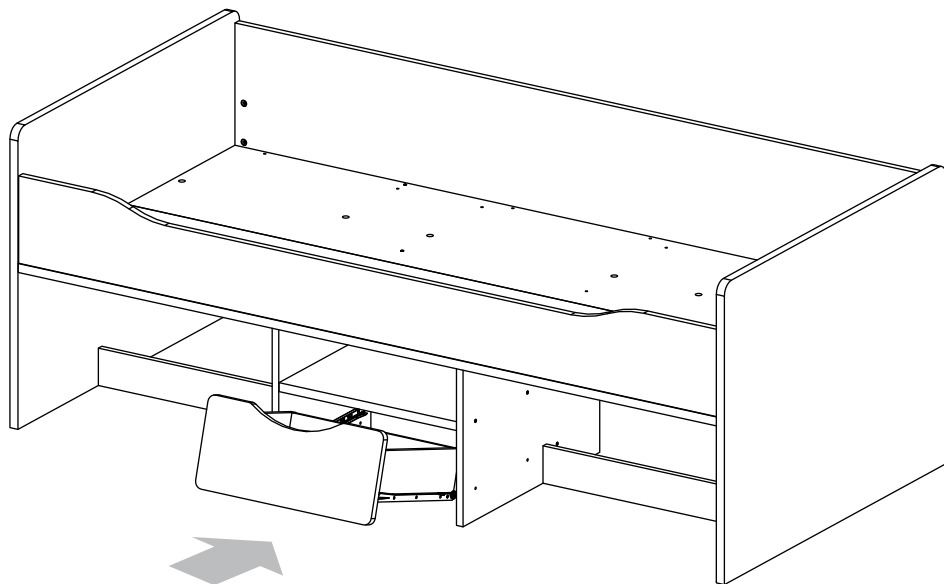
R



x2



31



32

