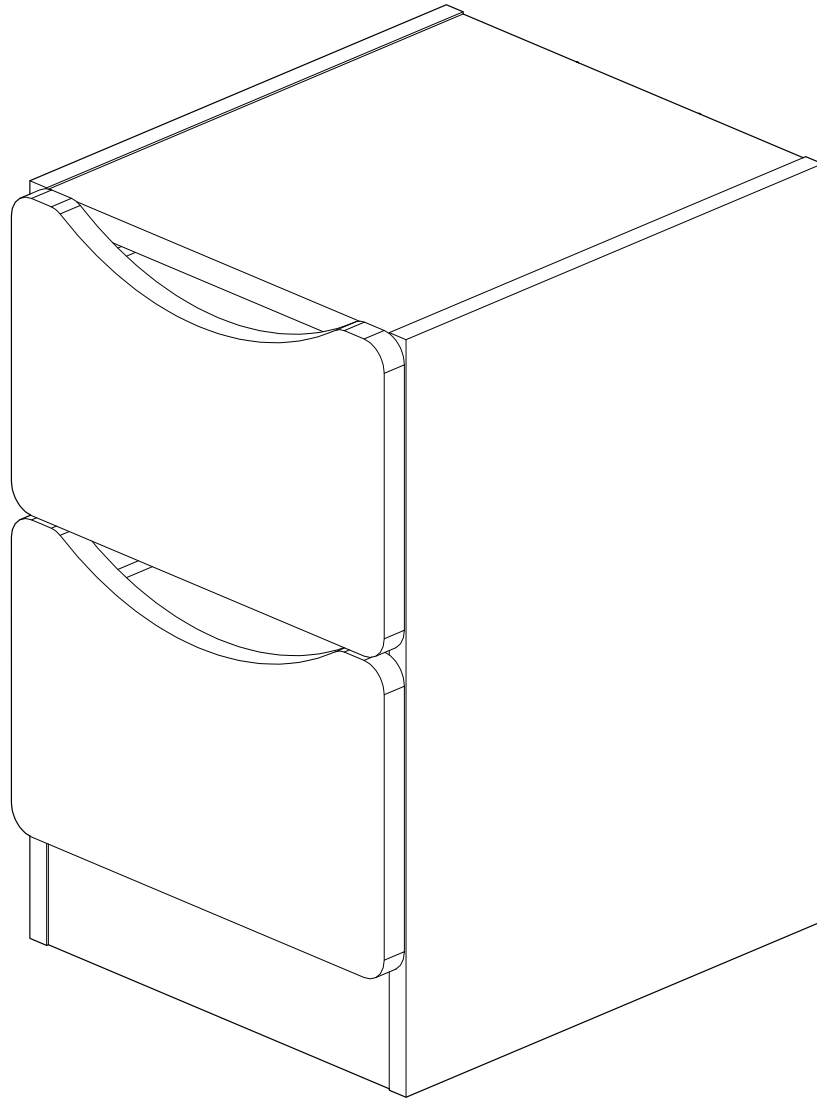
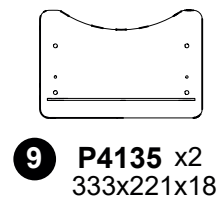
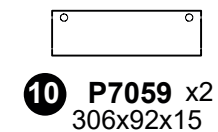
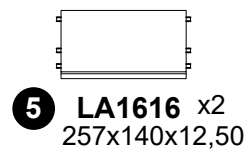
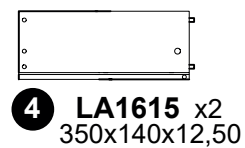
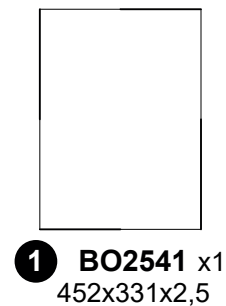
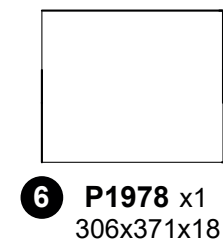
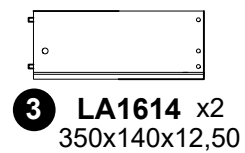
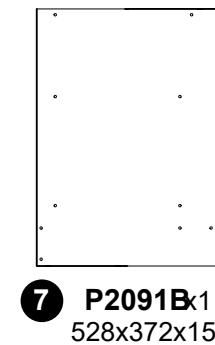
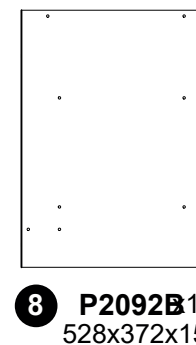
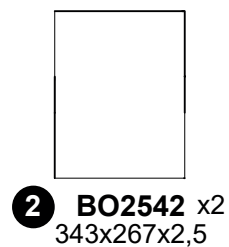
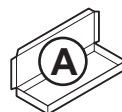
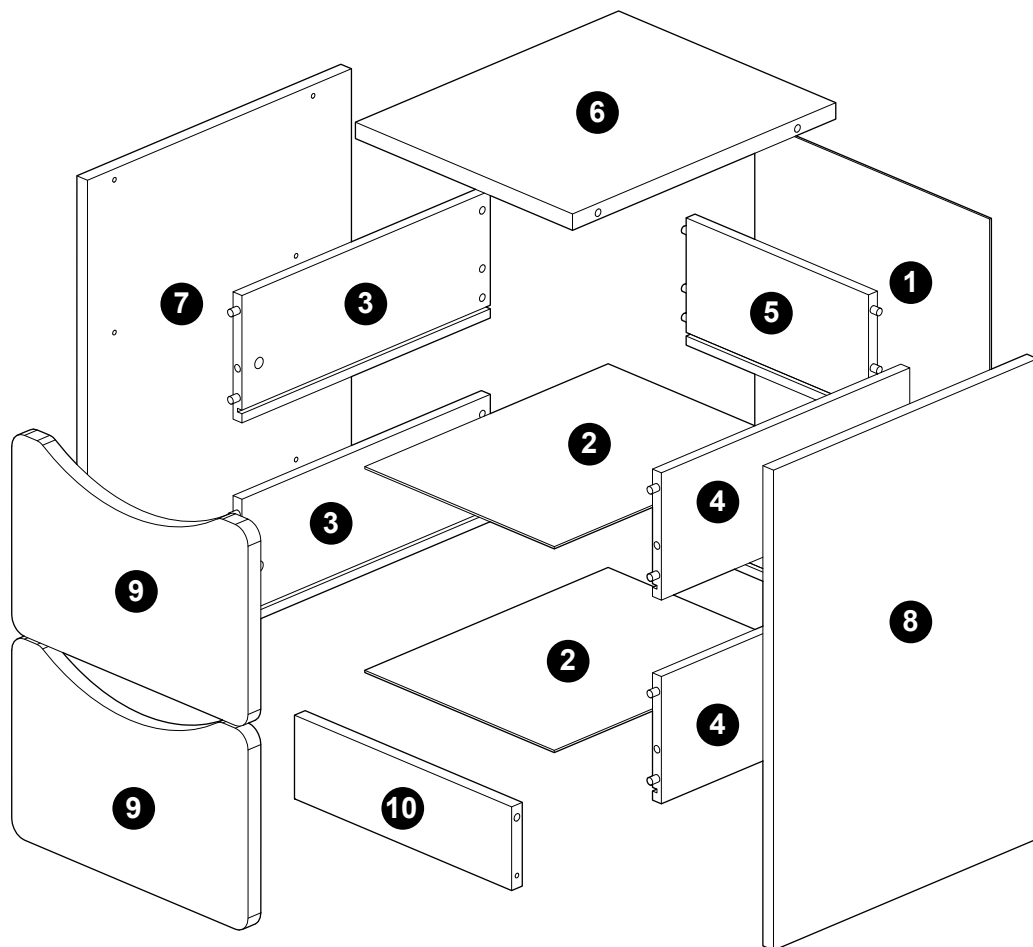


Tolga



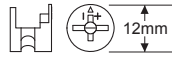
A		PM1517LA x2
B		PM1517LB x2
C		PM1517RA x2
D		PM1517RB x2
E		FK1011 x12 Ø5 x 24mm (11)
F		FK1010 x4 Ø12 x 10mm
G		FK1012 x8 Ø15 x 12mm
H		FK1311 x28 Ø3 x 15mm
I		FK1301 x8 Ø6,3 x 10mm
J		FK1410 x4 Ø5 x 30mm
K		FK1515 x30 Ø1,5 x 24mm
L		FK1250 x4
M		FK1234 x1
N		FA1510 x1
O		FK1415 x1

- | | | | |
|--------------------|--------------------|--------------------|--------------------|
| 1 BO2541 x1 | 4 LA1615 x2 | 7 P2091B x1 | 10 P7059 x2 |
| 2 BO2542 x2 | 5 LA1616 x2 | 8 P2092B x1 | |
| 3 LA1614 x2 | 6 P1978 x1 | 9 P4135 x2 | |

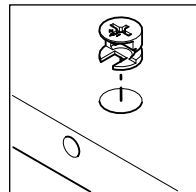
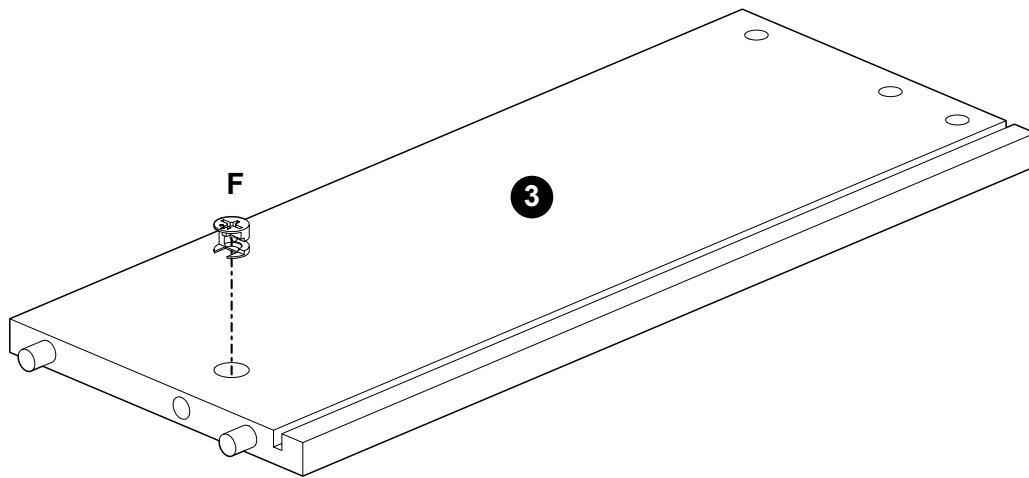


1

F



x1



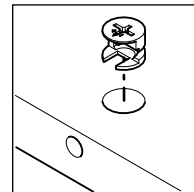
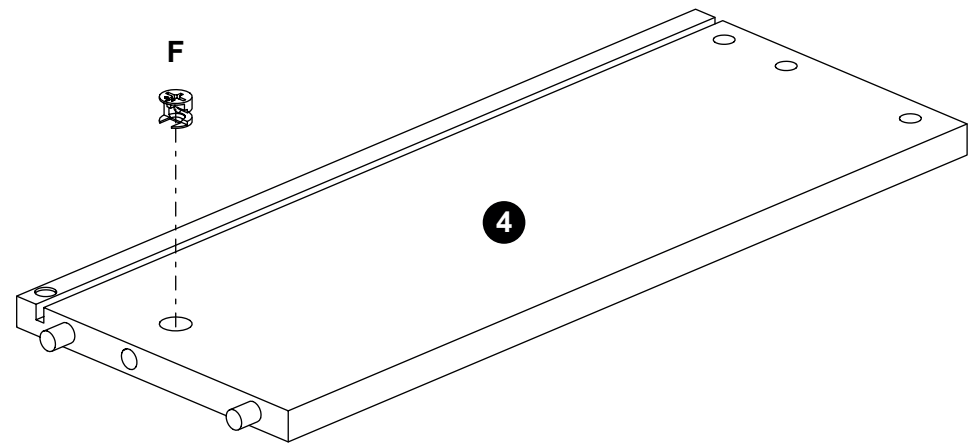
N62420 091017

2

F

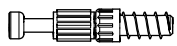


x1



3

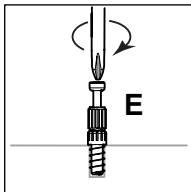
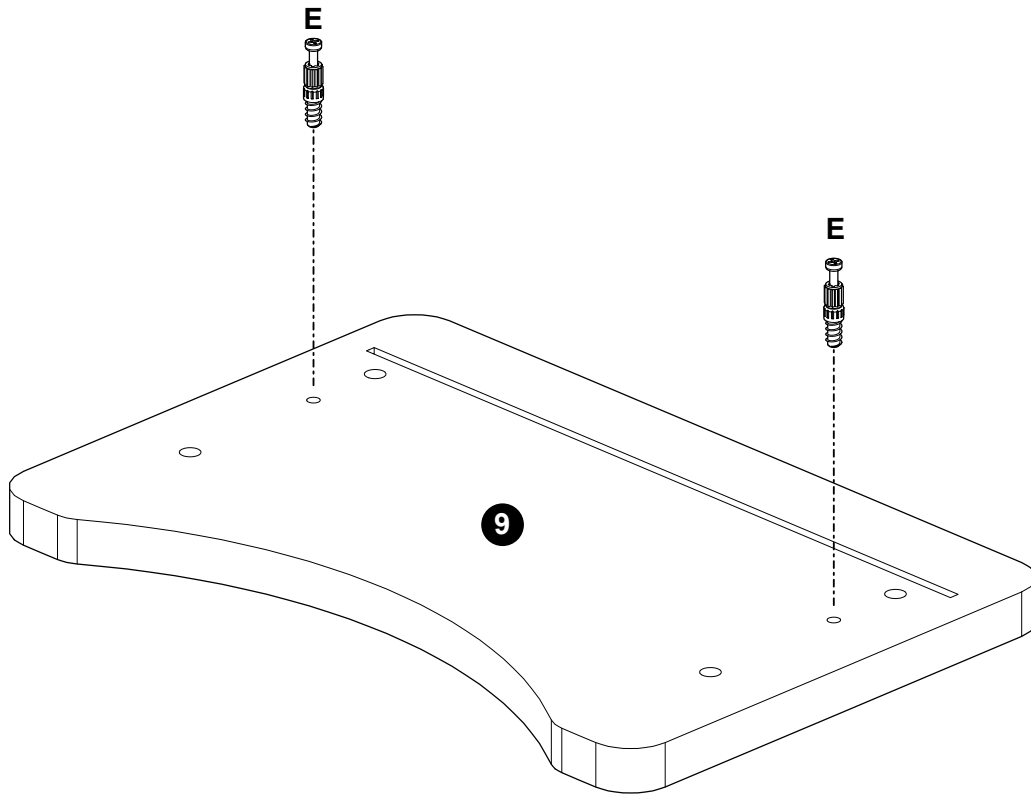
E



x4



2x



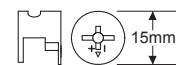
4

J



x4

G



x4

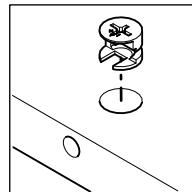
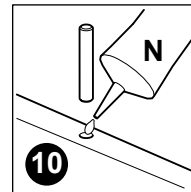
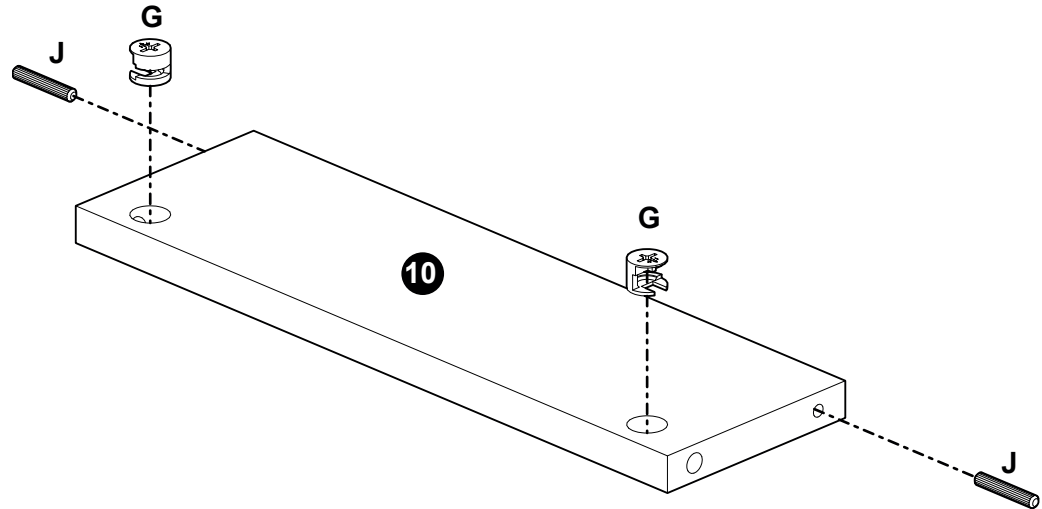


N




x2

2x




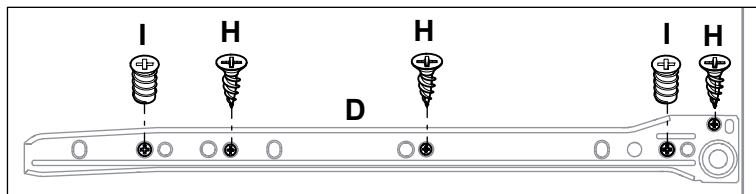
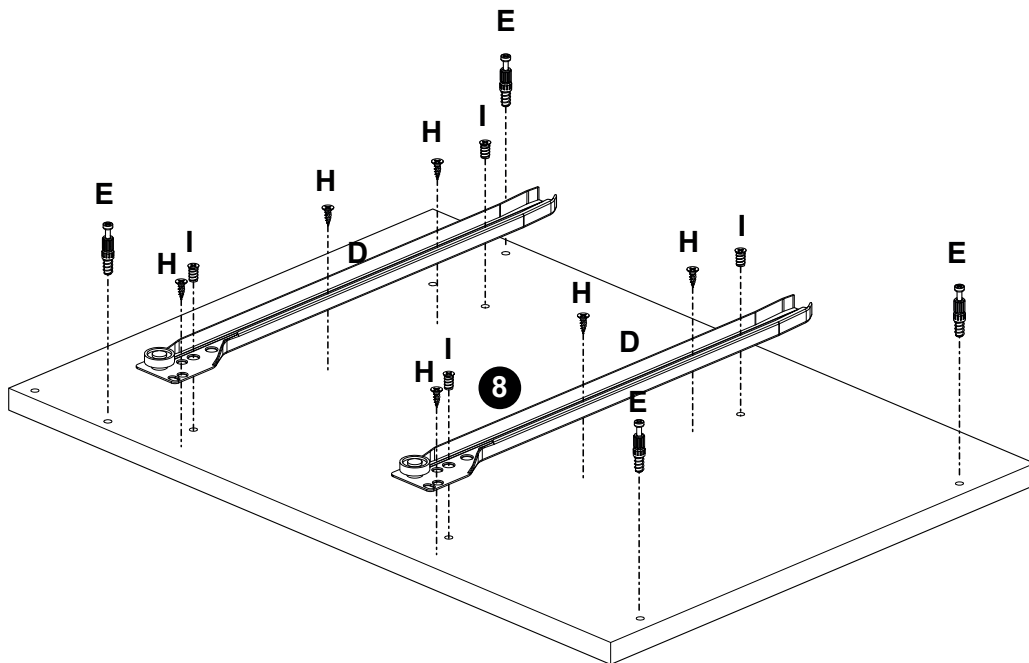
5

E  x4

H  x6

D  x2

I  x4



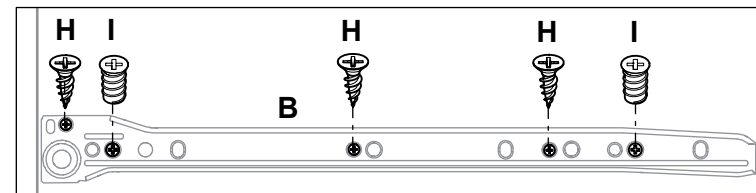
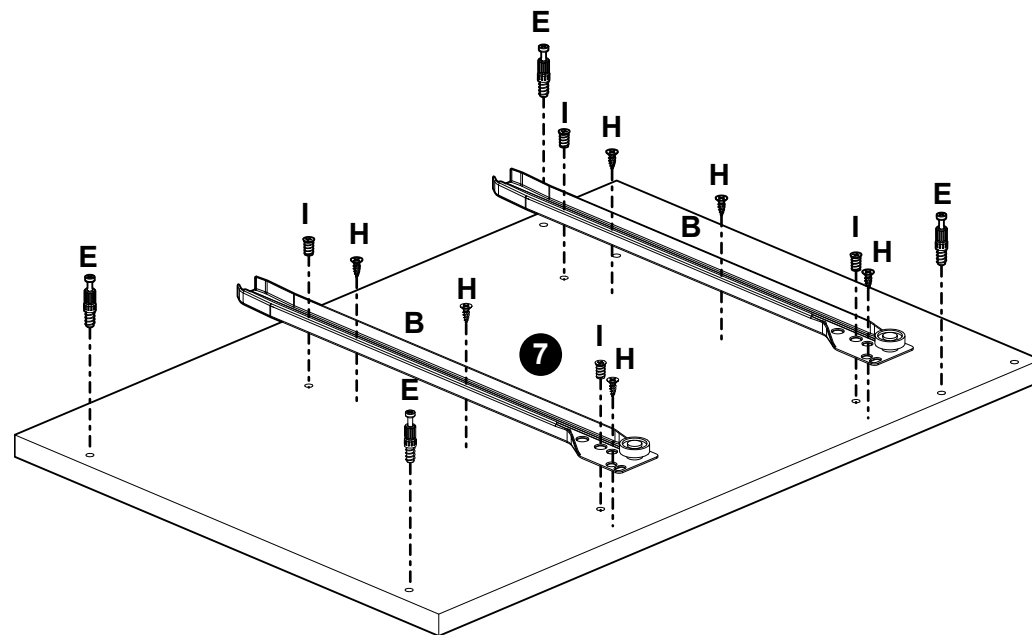
6

E  x4

H  x6

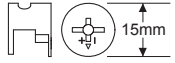
B  x2

I  x4

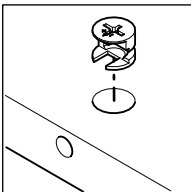
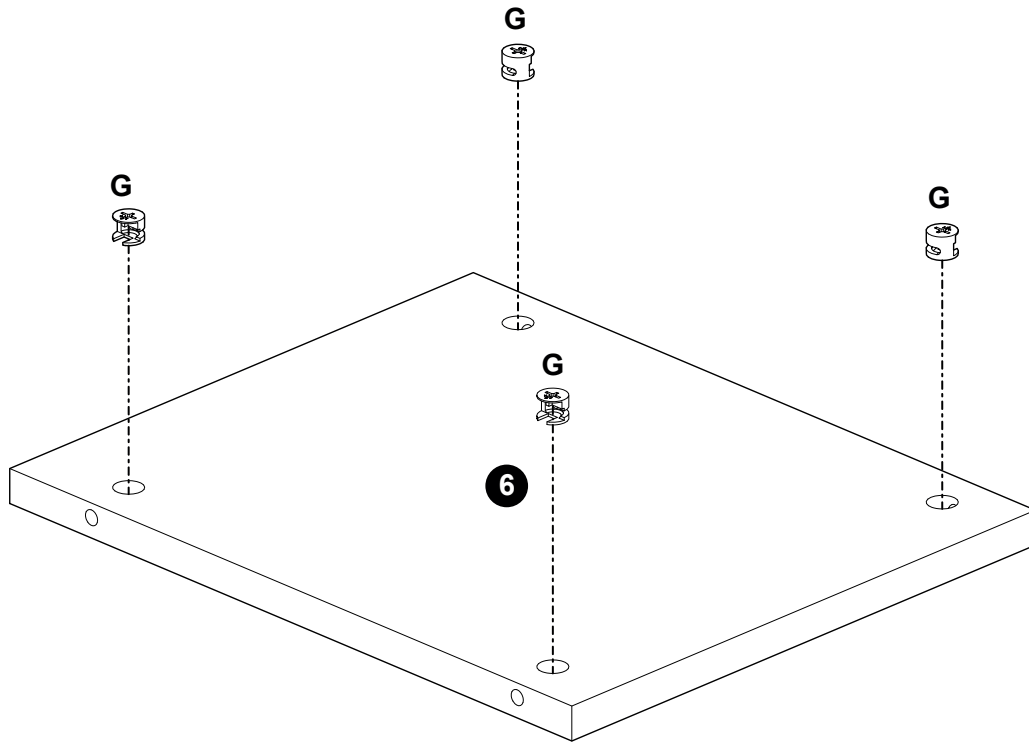


7

G

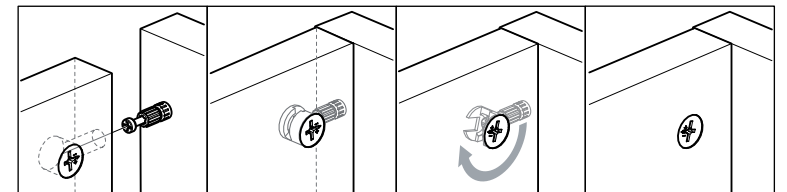
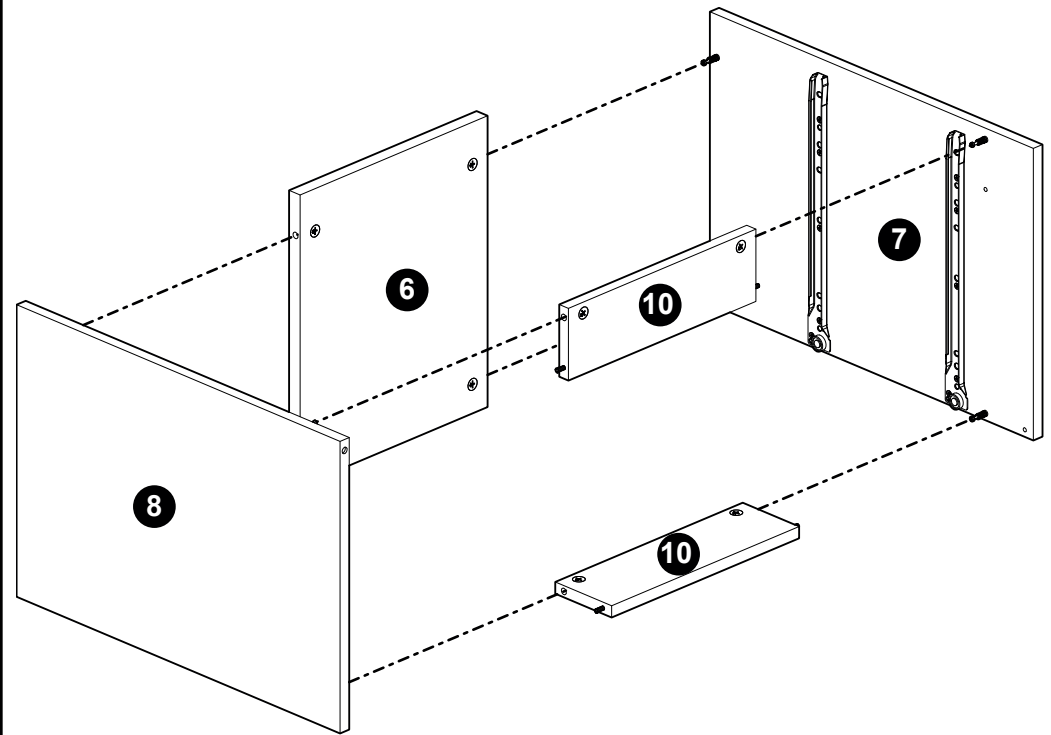


x4



N62420 091017

8



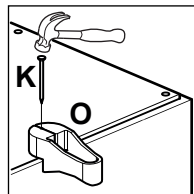
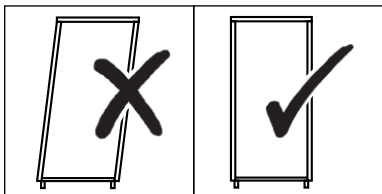
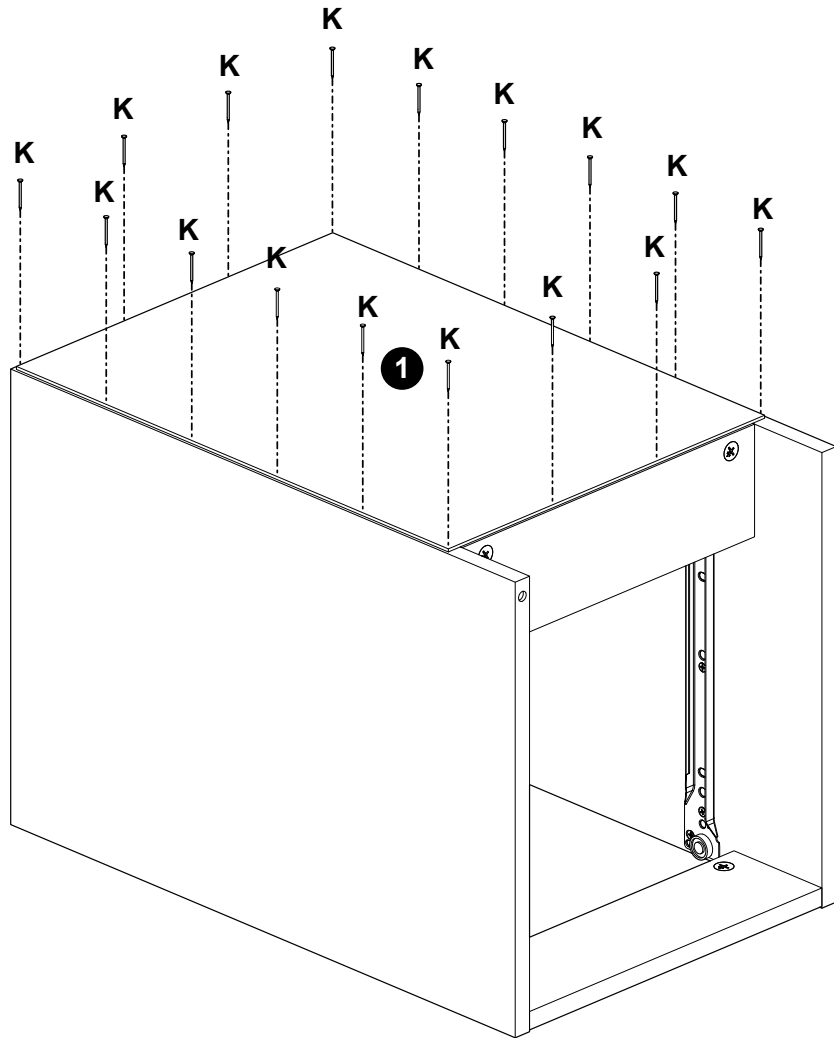
9

K 

x16

O 

x1

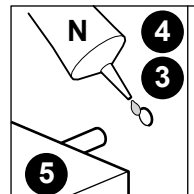
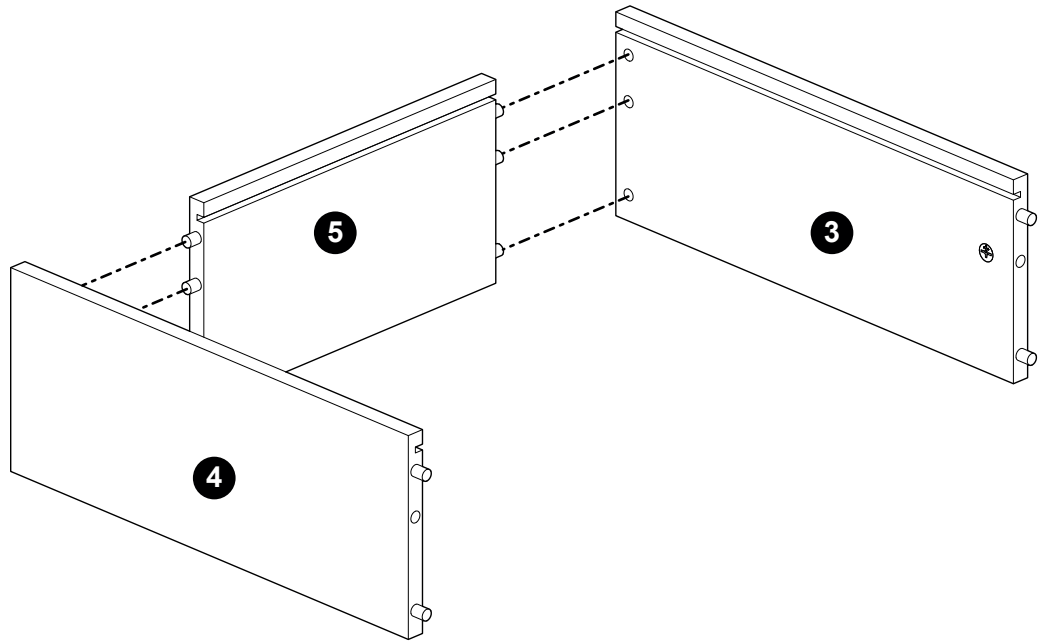


10

N 

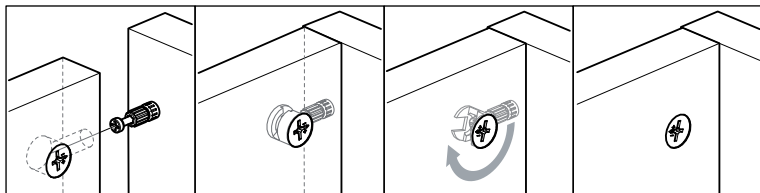
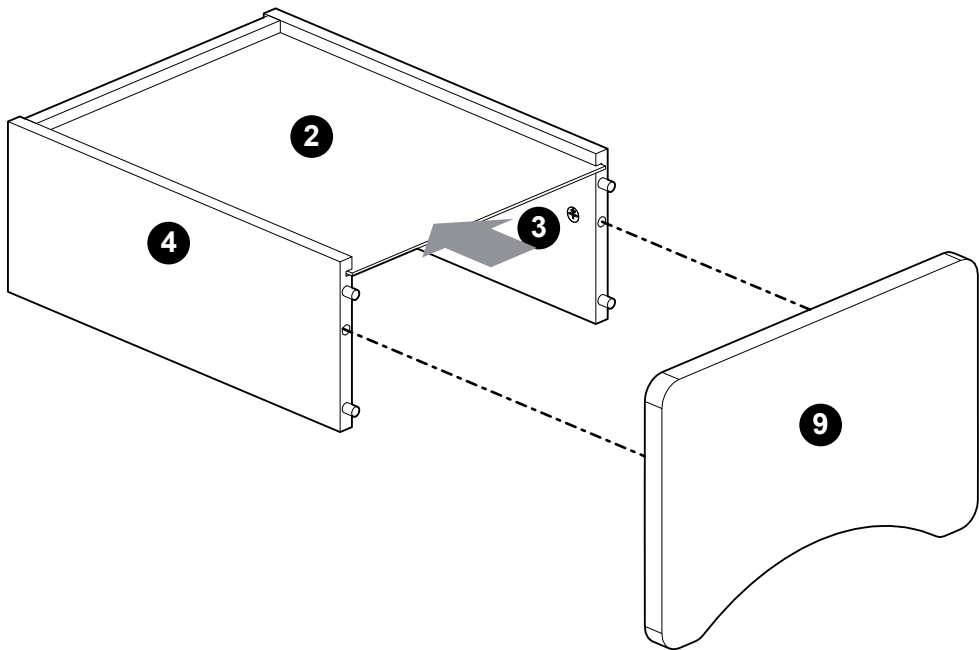
x2

2x



12

2x



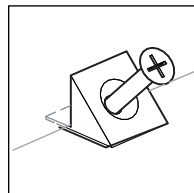
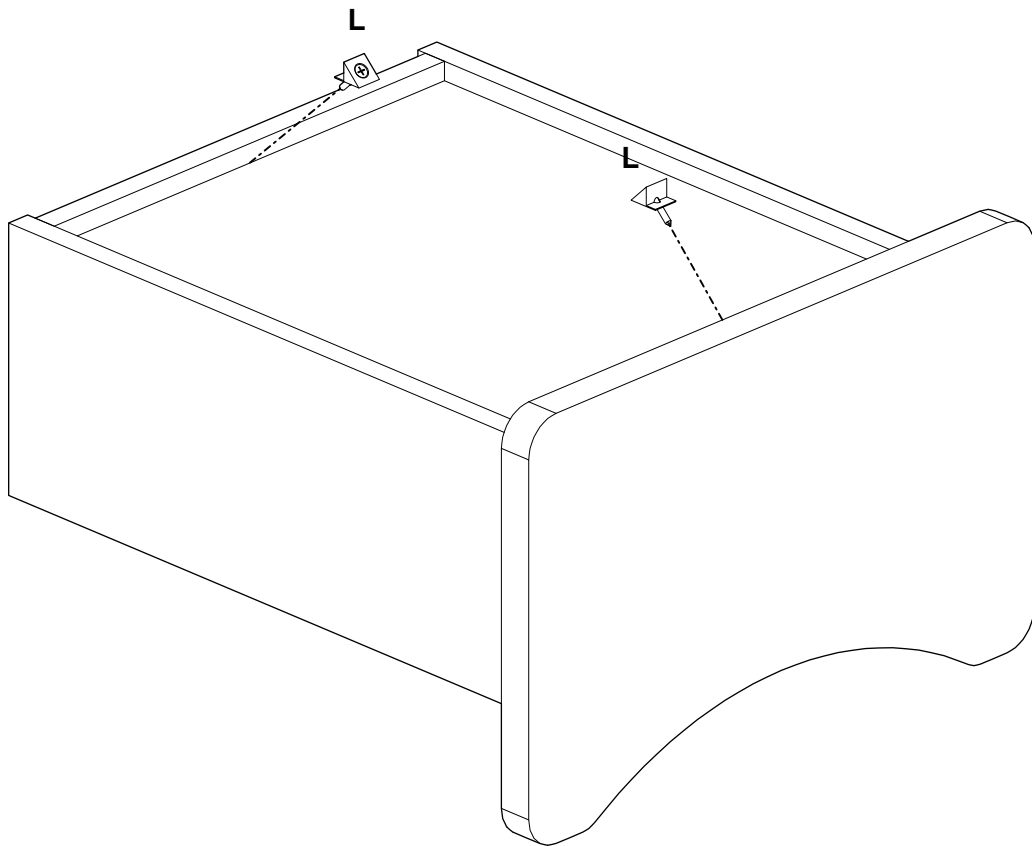
13

2x

L



x4



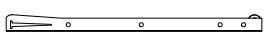
14

J



x12

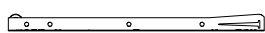
A



x2

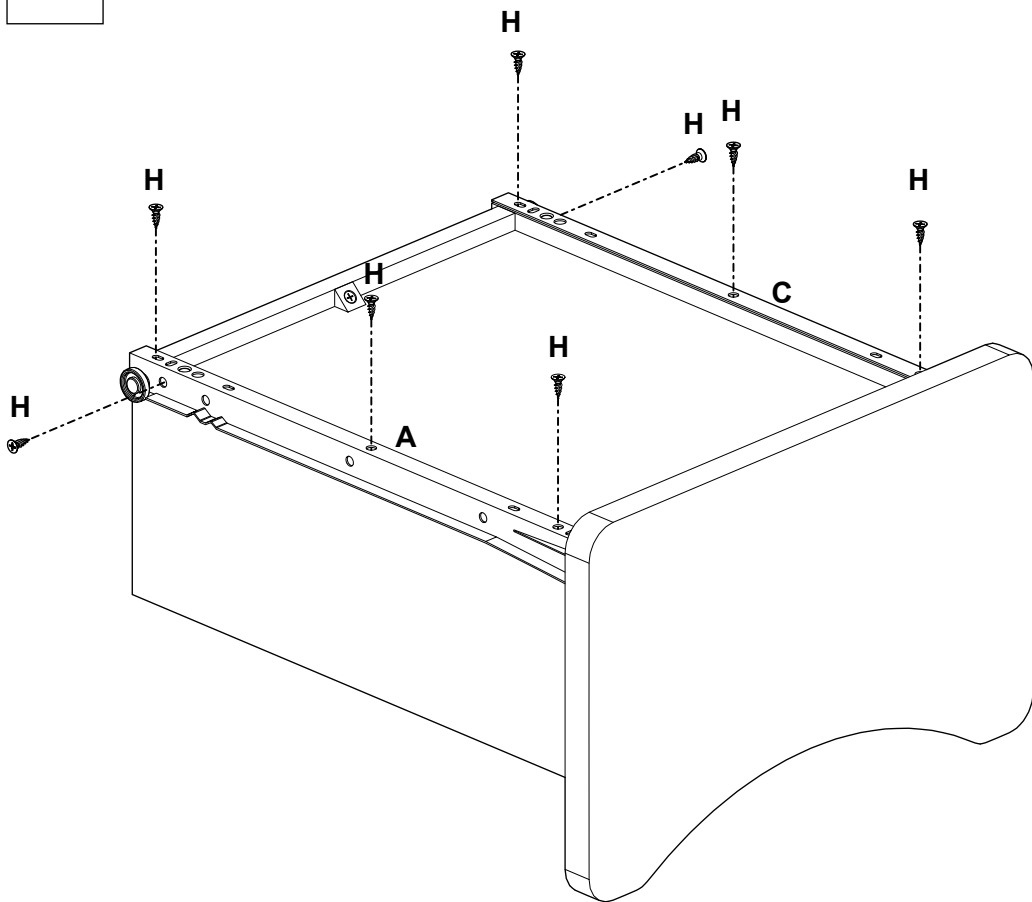


C



x2

2x



M



x1

