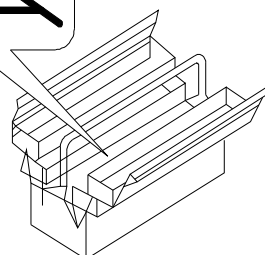
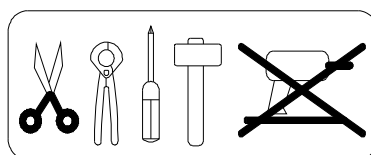
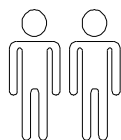


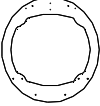

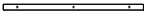
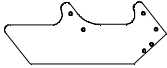




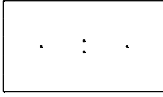


- |                                       |                                   |
|---------------------------------------|-----------------------------------|
| <b>D</b> Montageanleitung             | <b>GB</b> Assembly instructions   |
| <b>NL</b> Handleiding voor de montage | <b>PL</b> Instrukcja montazu      |
| <b>TR</b> Montaj talimati             | <b>RU</b> Инструкция по монтажу   |
| <b>FR</b> Notice de montage           | <b>IT</b> Istruzioni di montaggio |
| <b>CS</b> Montážní návod              | <b>SK</b> Návod na montáž         |
| <b>HU</b> Szerelési útmutató          | <b>RO</b> Instrucțiuni de montaj  |

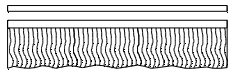



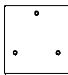
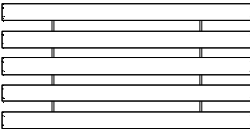


# SCPC201

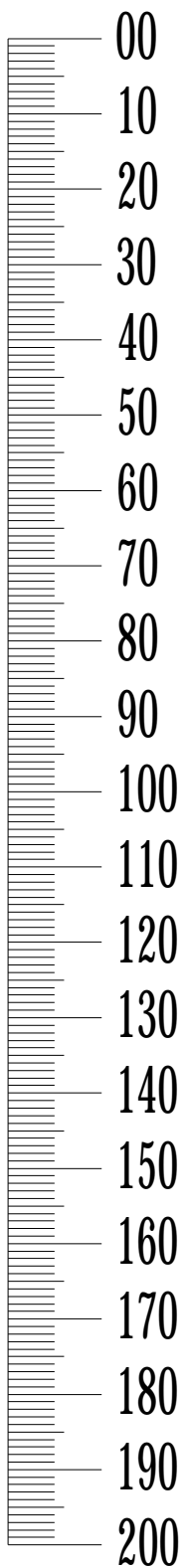
ITEM NO.	MEASUREMENT	QTY	SHAPE	CARTON NO.
①	2350 X 540 X 15	X2		1-6
②	930 X 400 X 15	x2		1-6
③	1050 X 1050 X 15	x2		2-6
④	930 X 98 X 15	x3		2-6
⑤	900 X 40 X 15	x2		2-6
⑥	532 X 188 X 15	x2		2-6
⑦	532 X 188 X 15	x2		2-6
⑧	280 X 130 X 15	X4		2-6
⑨	280 X 98 X 15	x2		2-6
⑩	196 X 170 X 195	x1		3-6
⑪	960 X 510 X 90	x1		4-6

2010x930

# SCPC201

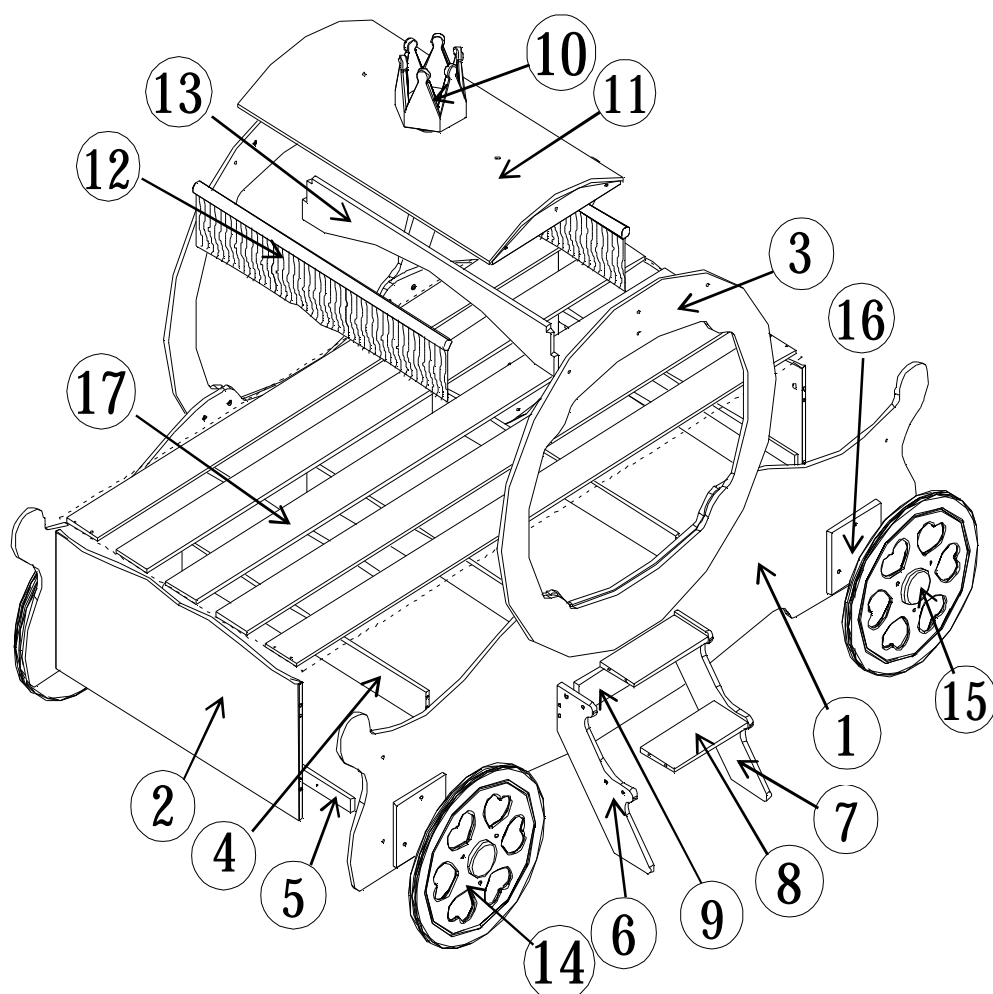
ITEM NO.	MEASUREMENT	QTY	SHAPE	CARTON NO.
⑫	960 X 24 X 24	x2		4-6
⑬	960 X 140 X 15	x1		4-6
⑭	500 X 500 X 24	x4		5-6
⑮	100 X 100 X 15	x4		5-6
⑯	190 X 190 X 15	x4		5-6
⑰	2007 X 118 X 12	x5		6-6

2010x930

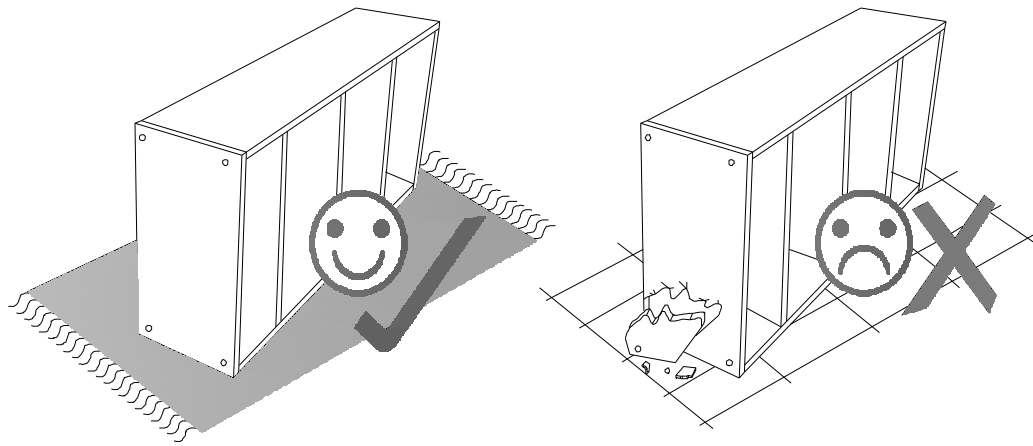


Service • Asistenza • Dienstverlening • Serwis  
Servis • Szerviz • Сервисная служба

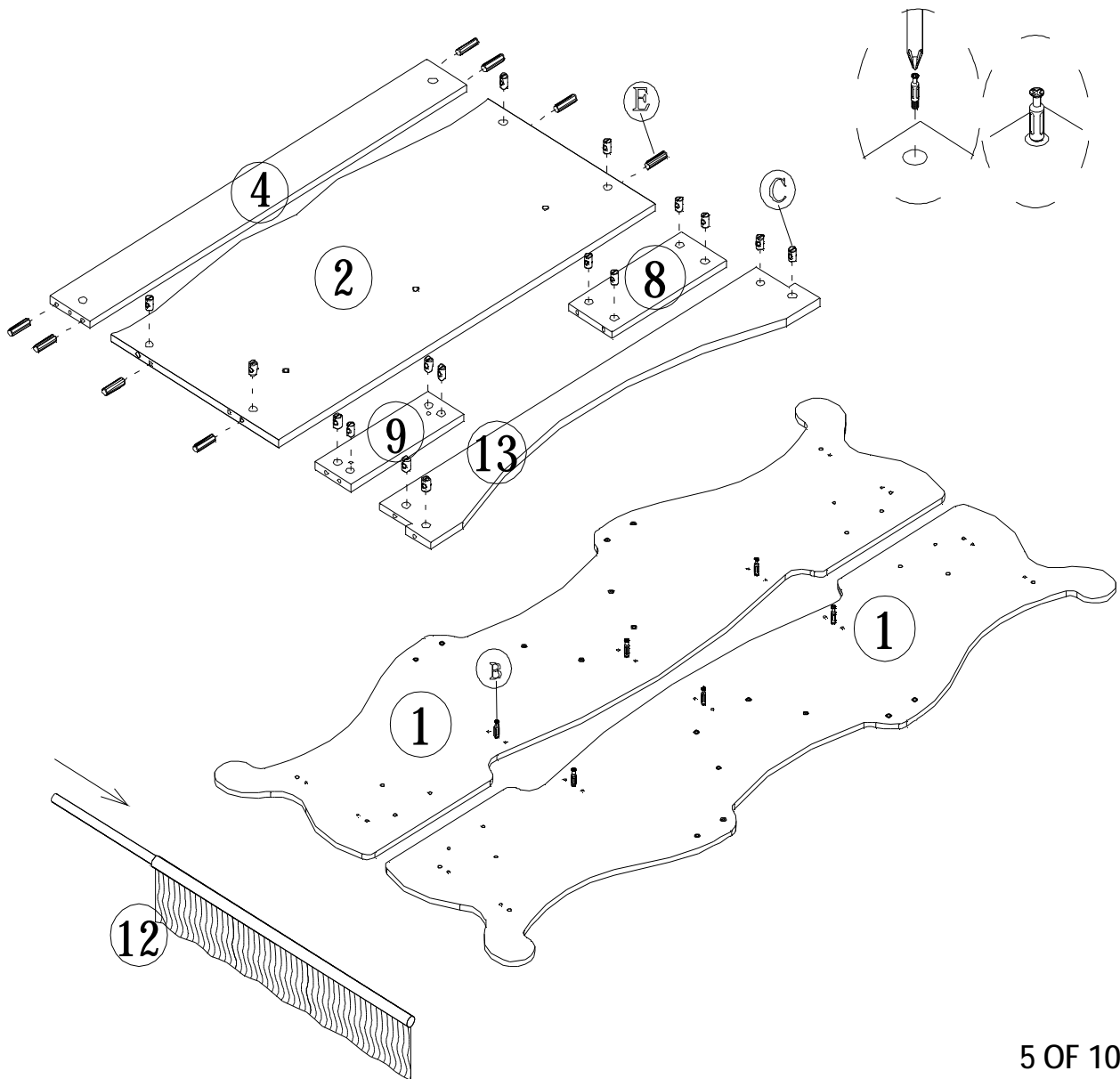
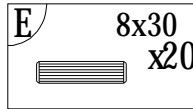
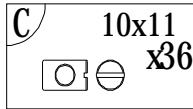
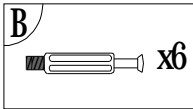
Name • Nom • Nome • Naam • Nazwa • Jméno • Názov • Név • Denumire • Isim • Название		
Nr. • No. • N° • Номер • Číslo		
Typ • Type • Tipe • Tipus • Tipo • Тип		



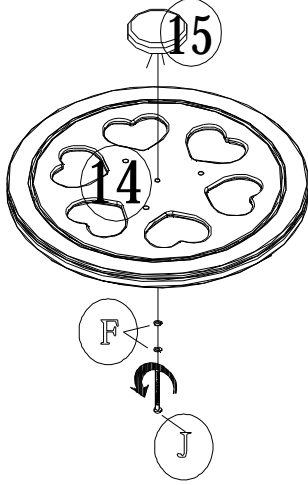
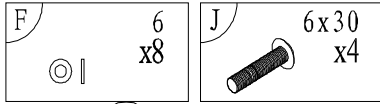
A  x6	B  x6	C 10x11 x36	D 6x50 x34	E 8x30 x20	F 6 x16
G 6x20 x16	H 6x25 x12	I 7x38 x2	J 6x30 x8	K 6x55 x12	L 6x65 x2
M 3.5x29 x8	N  x8	O 28x11 x4			



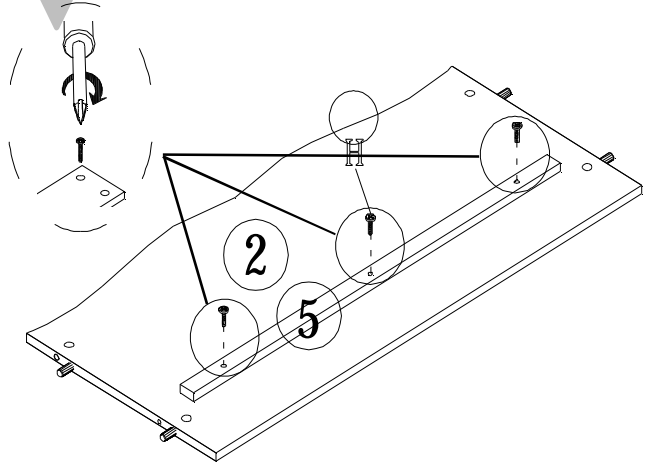
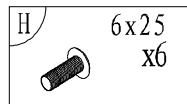
1



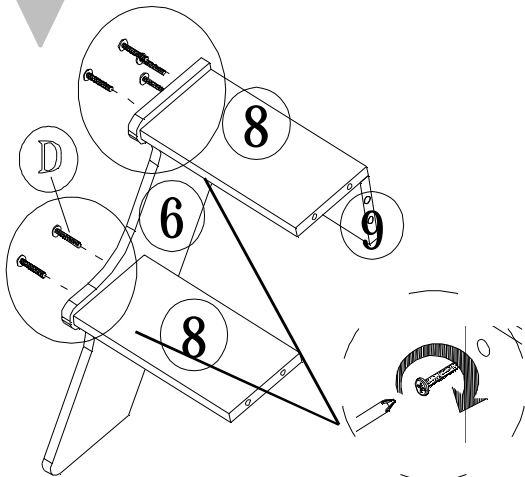
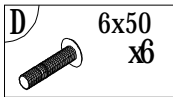
2



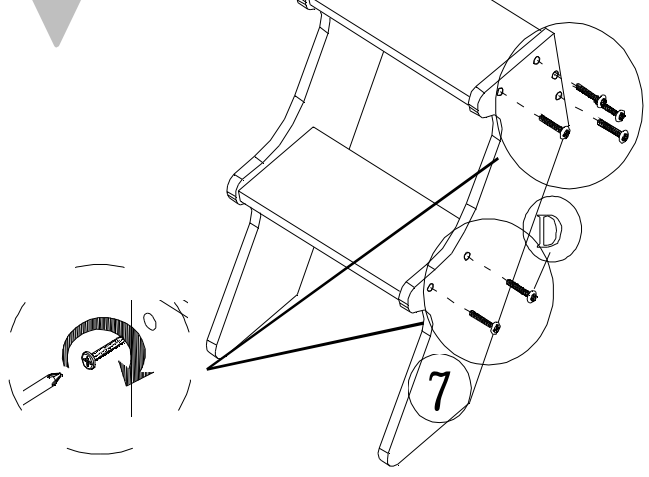
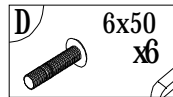
3



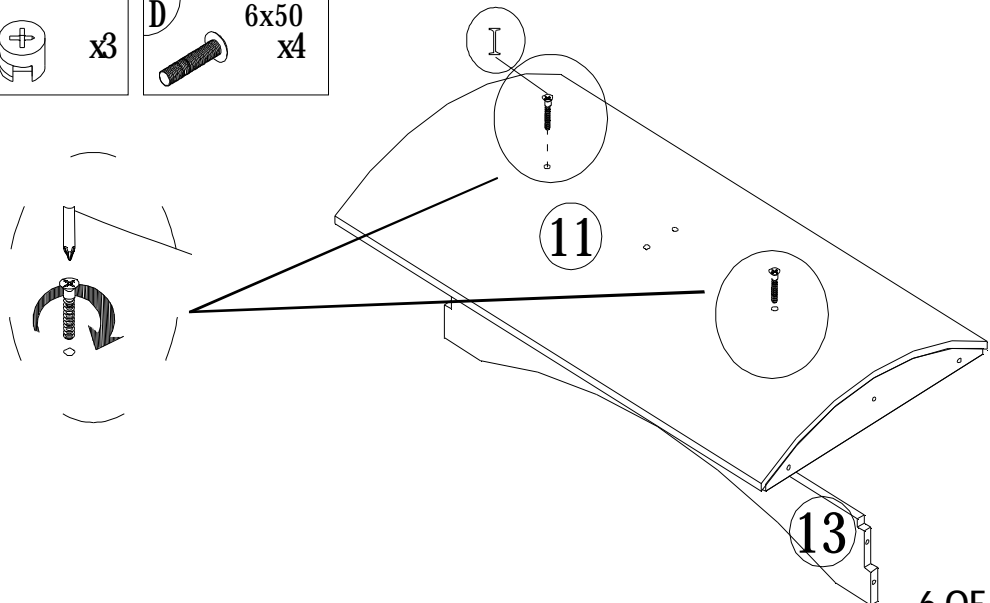
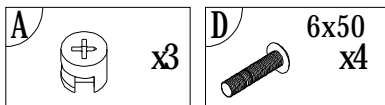
4



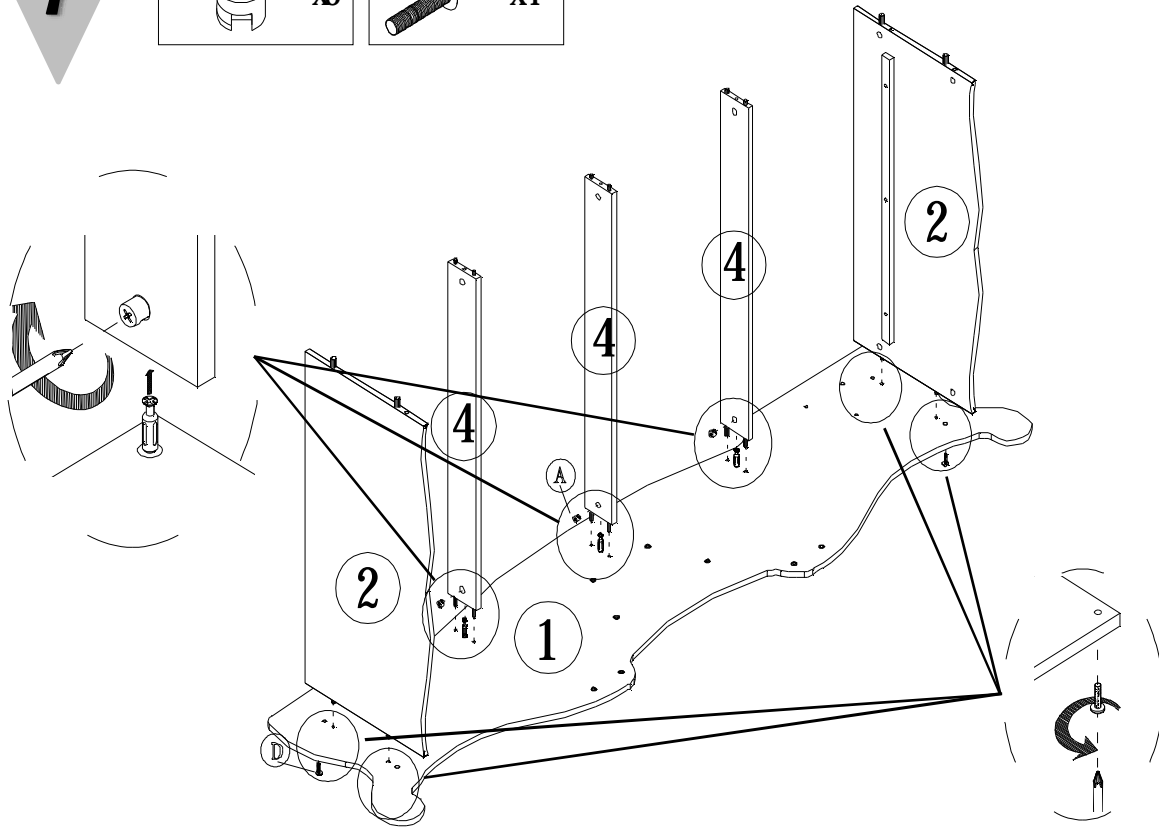
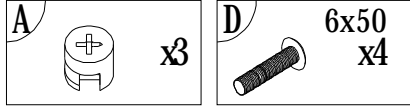
5



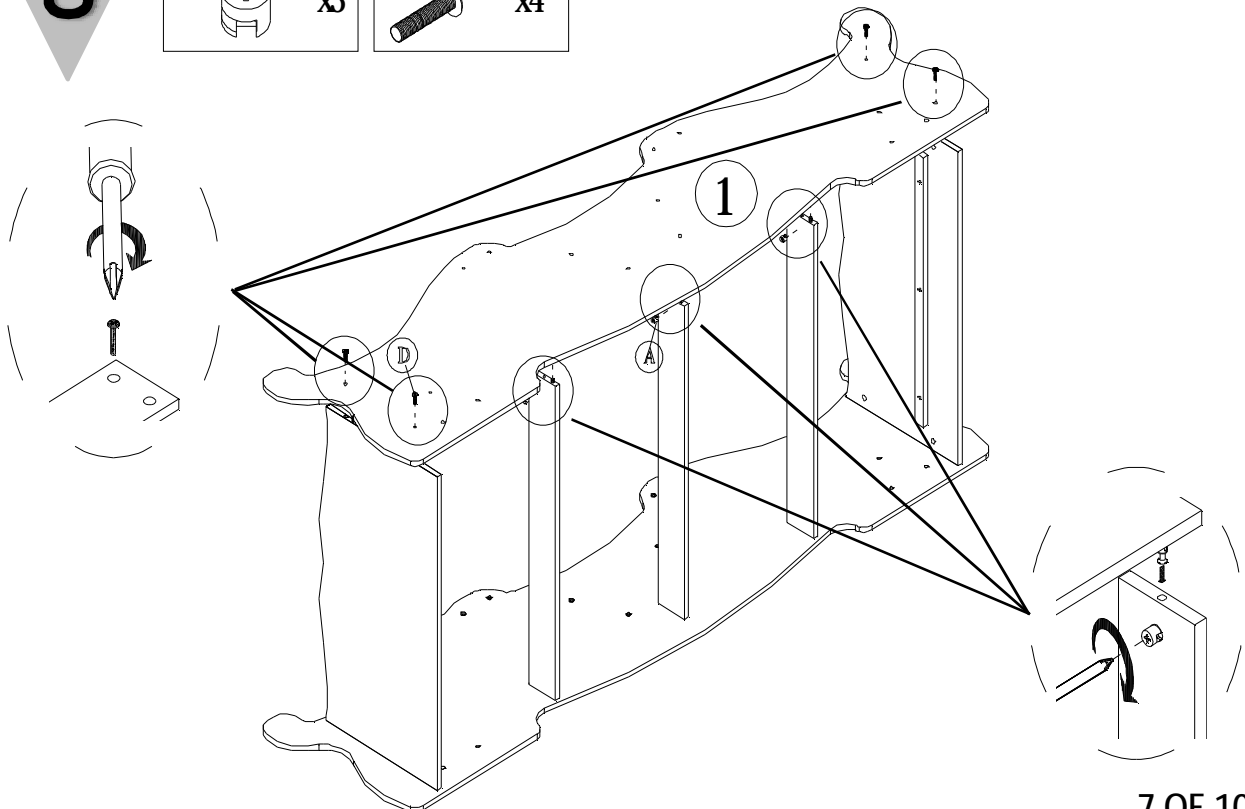
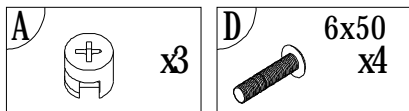
6



7

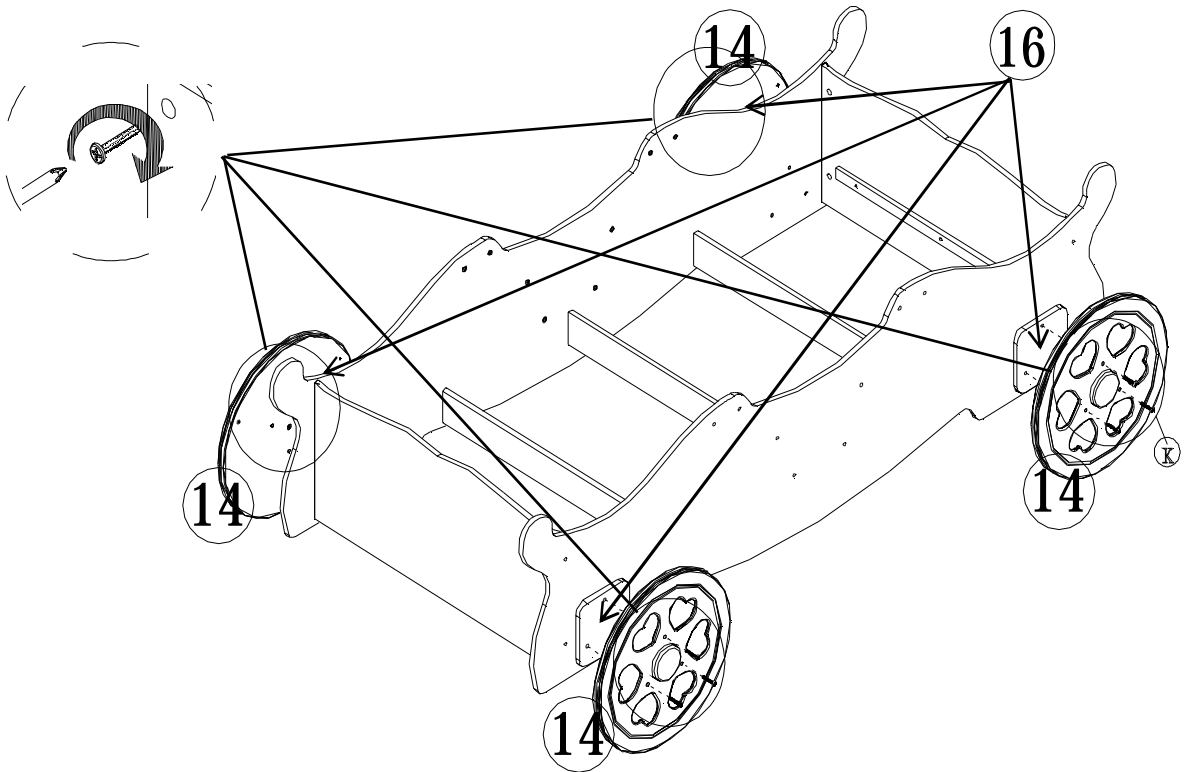


8



9

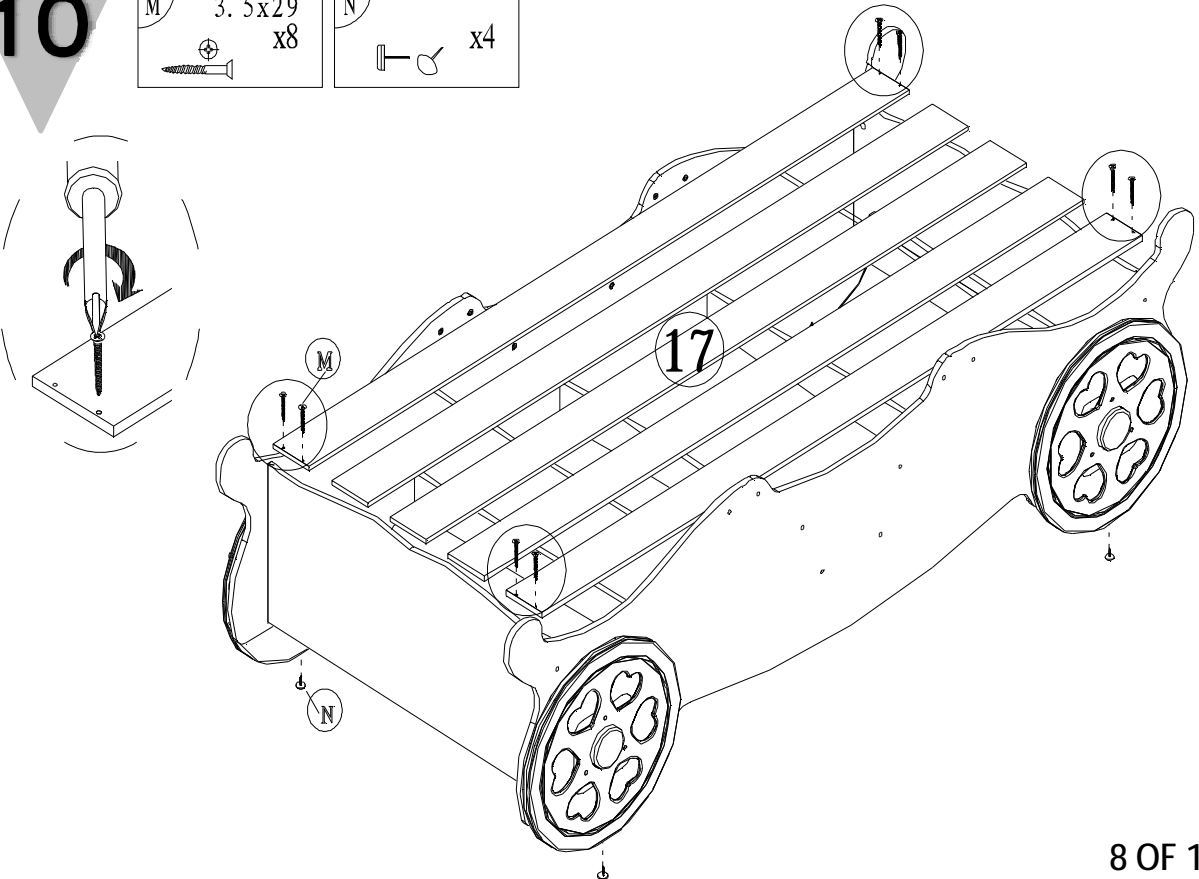
K 6x55  
x12



10

M 3.5x29  
x8

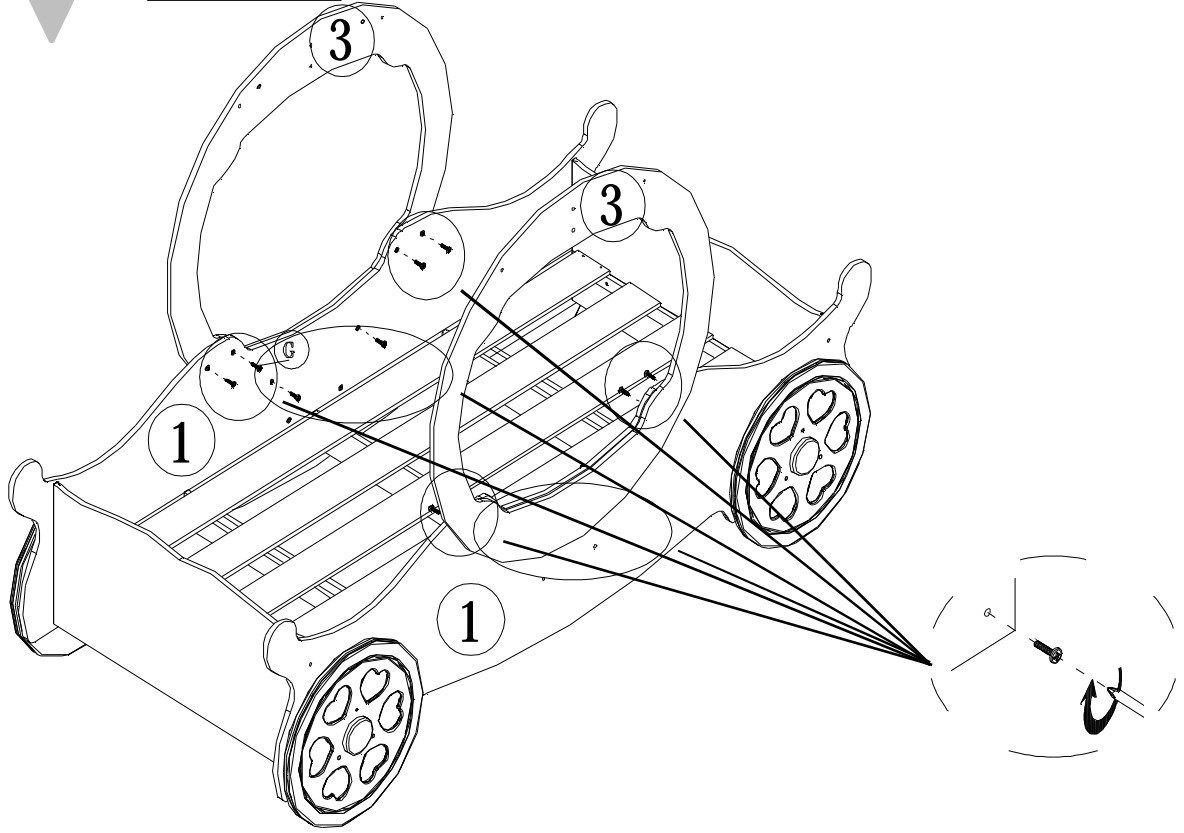
N x4





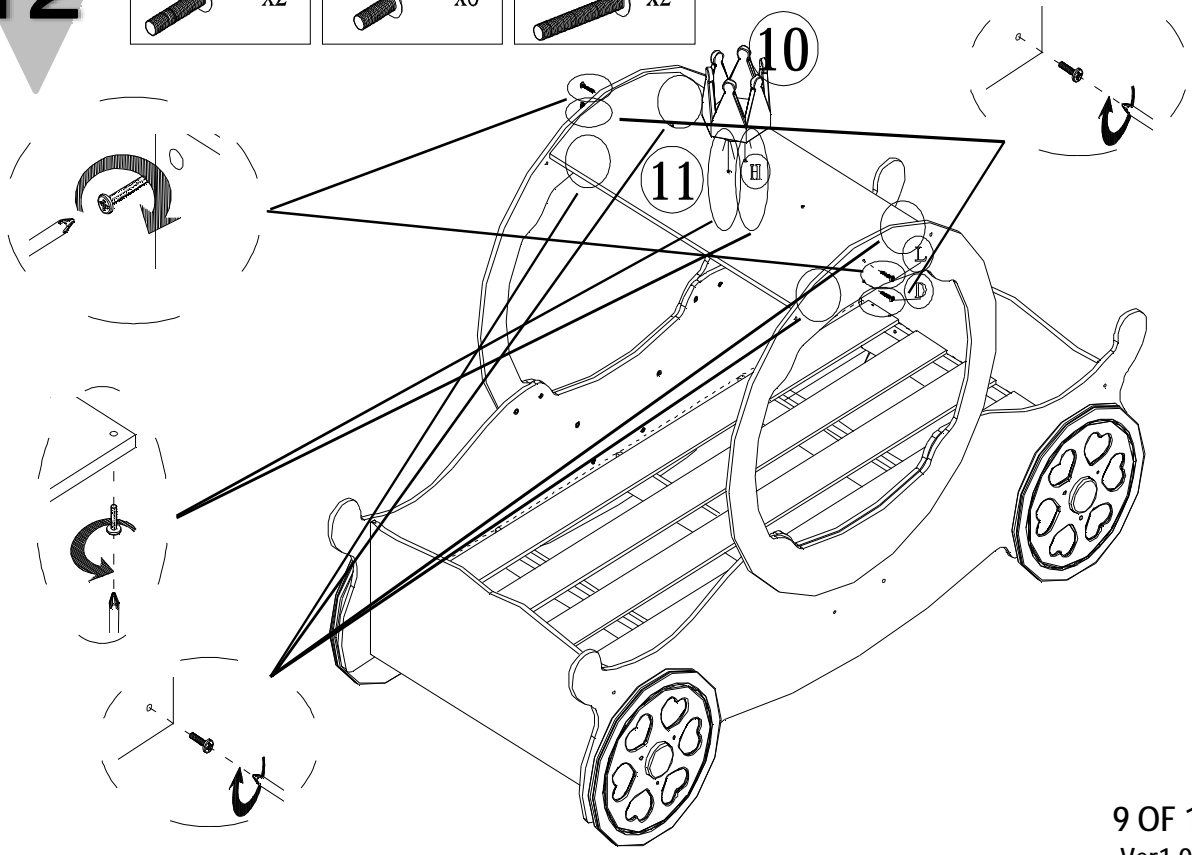
11

G 6x20  
x12



12

D 6x50 x2    H 6x25 x6    L 6x65 x2



13

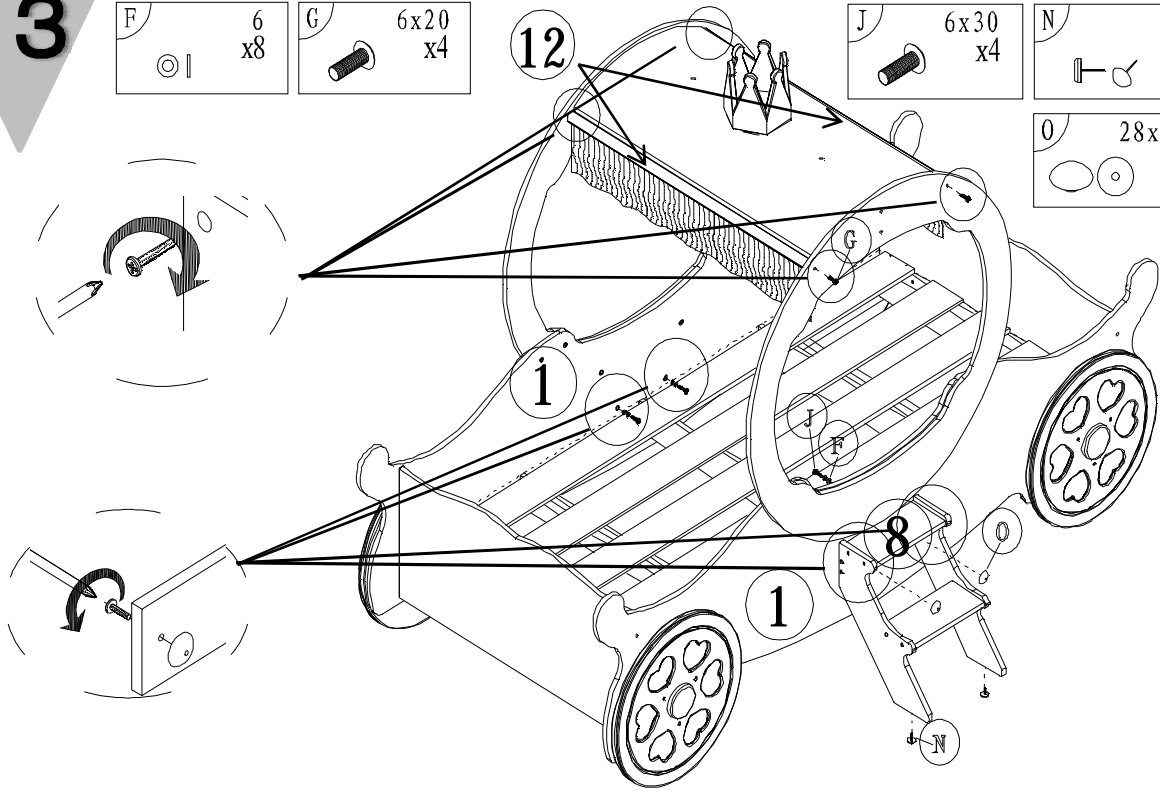
F 6 x8

G 6x20 x4

J 6x30 x4

N x4

O 28x11 x4



14

