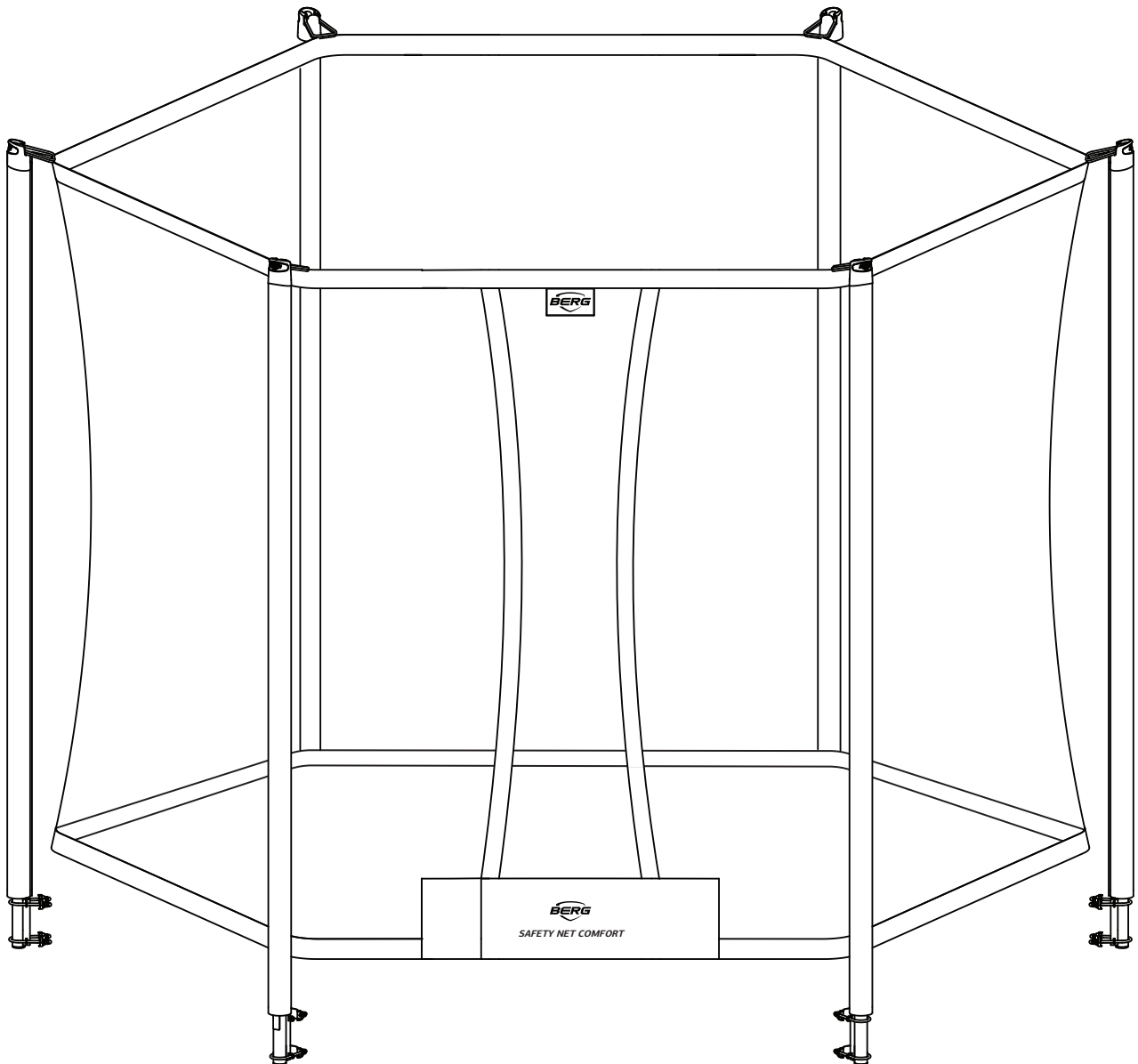




BERG
Safety Net Comfort
200, 270 & 330

User manual
Gebruikshandleiding
Gebrauchsanweisung
Mode d'emploi
Brugermanual
Instruktionsbok

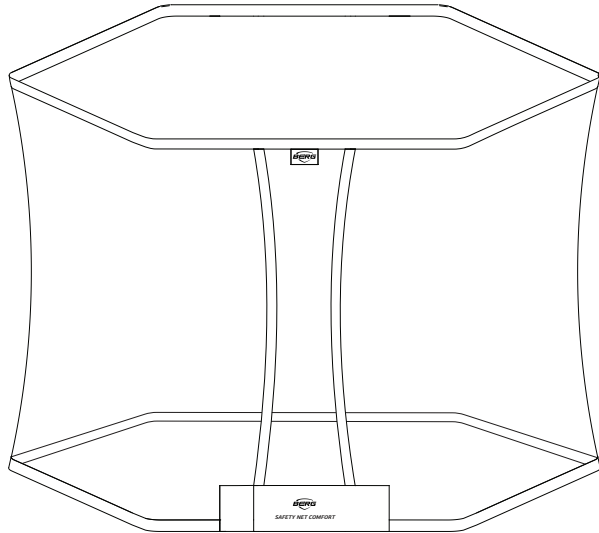




Go to the BERG toys channel on

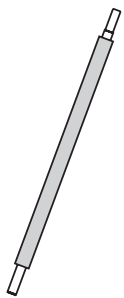


for installation instruction video's
www.youtube.com/bergtoys



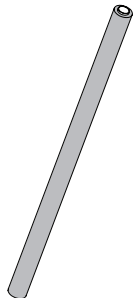
1

1x



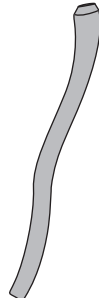
2

6x



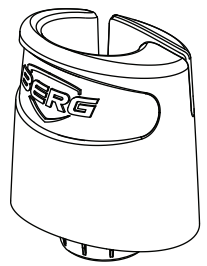
3

6x



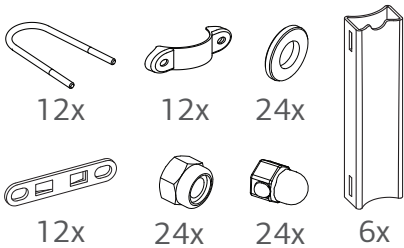
4

6x

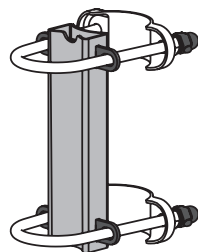


5

6x

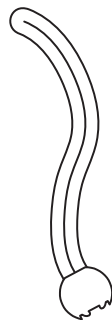


6



7

6x



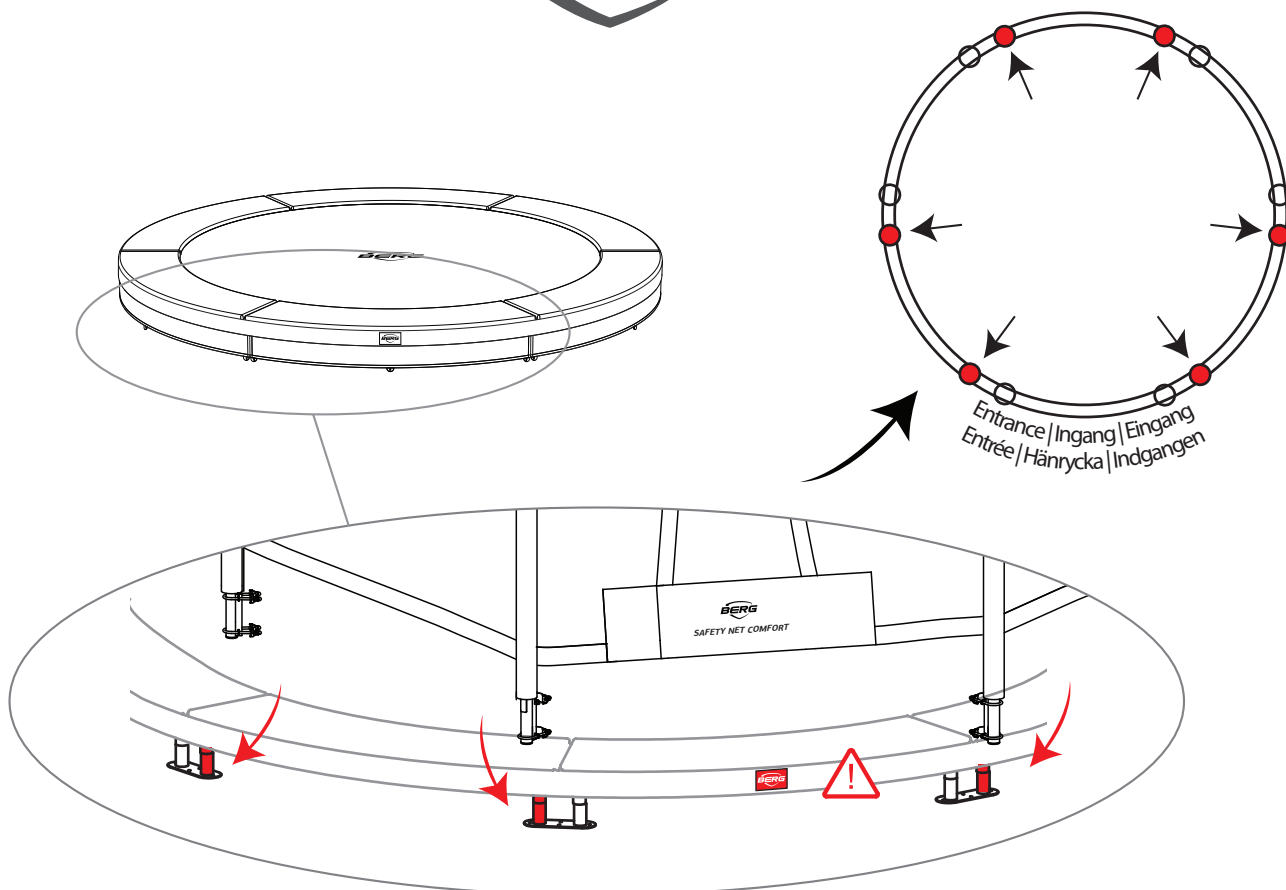
8

1x

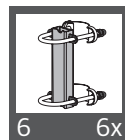
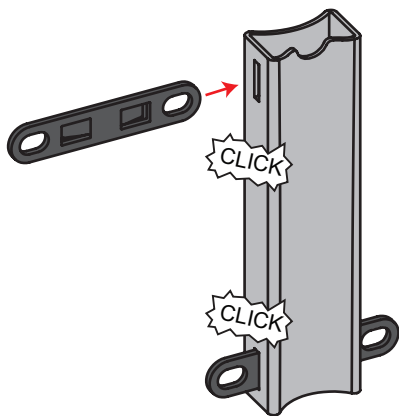




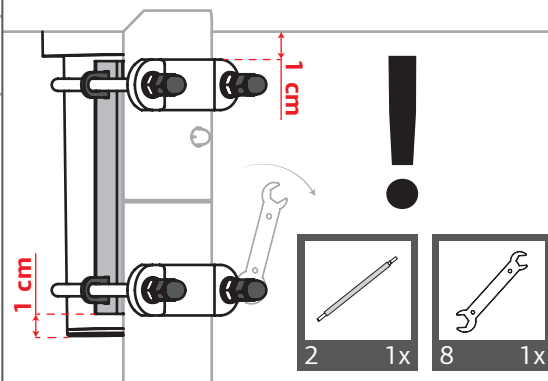
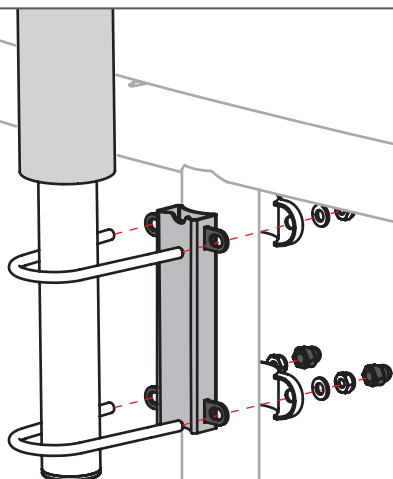
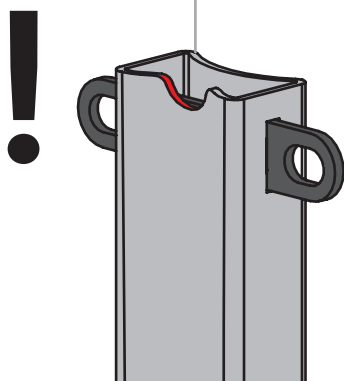
1



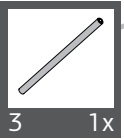
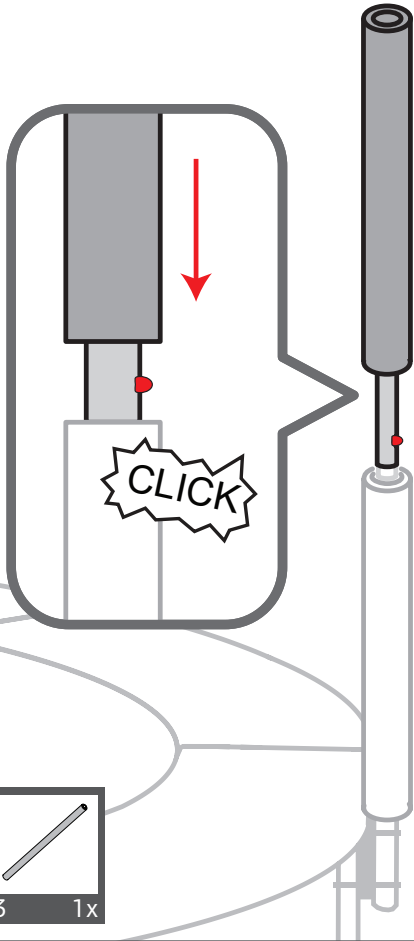
2



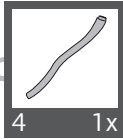
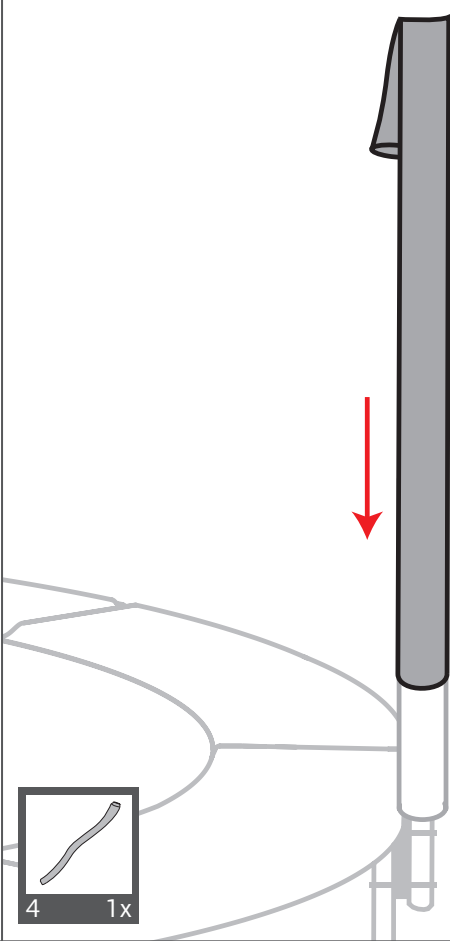
3



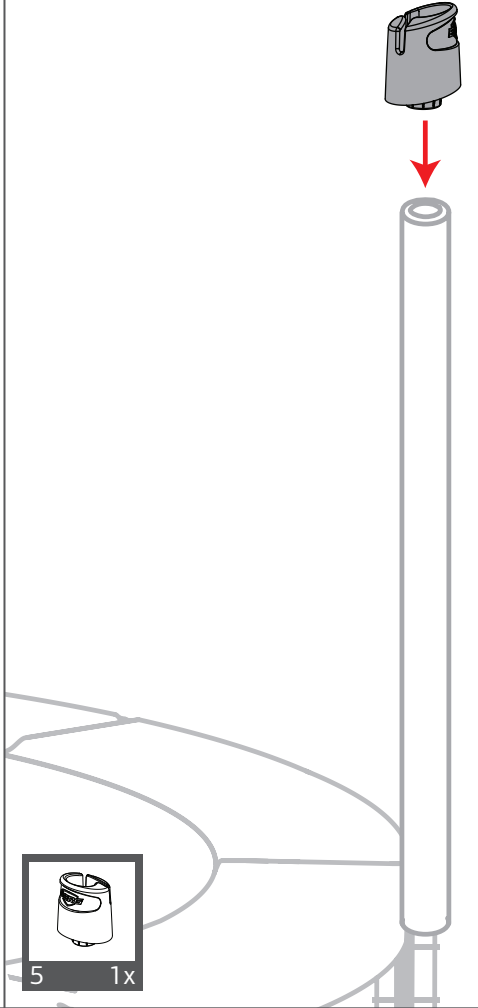
4



5

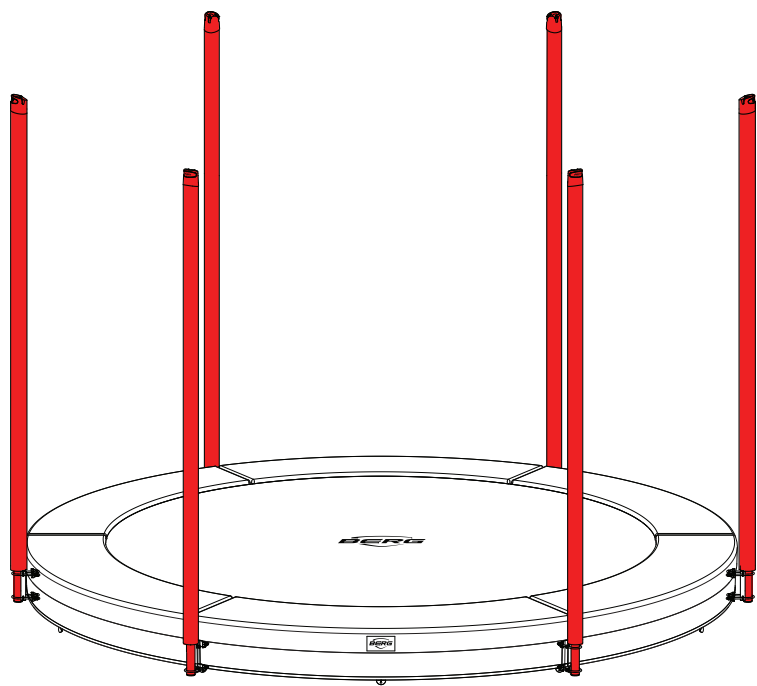


6

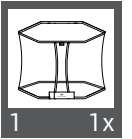
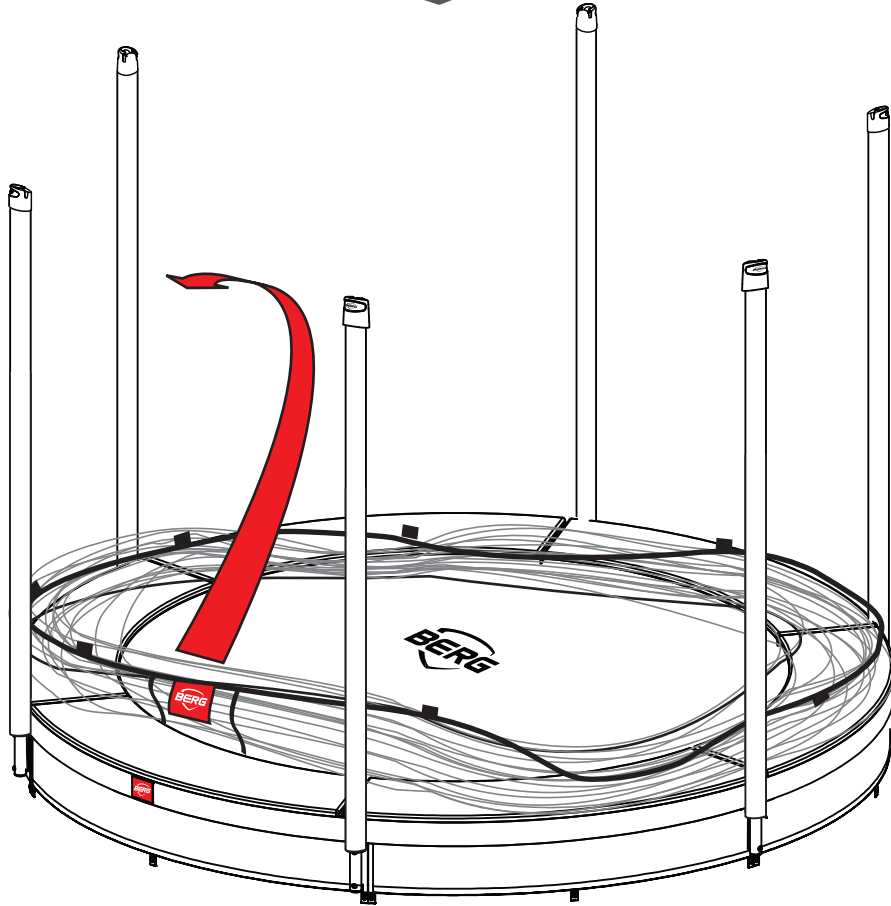


7

3 4 5 6 6x

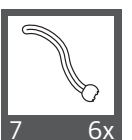
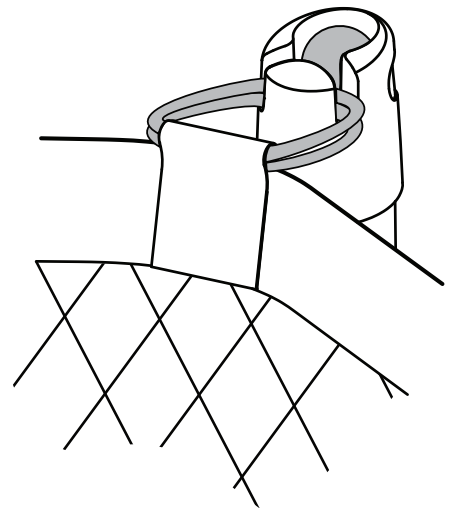
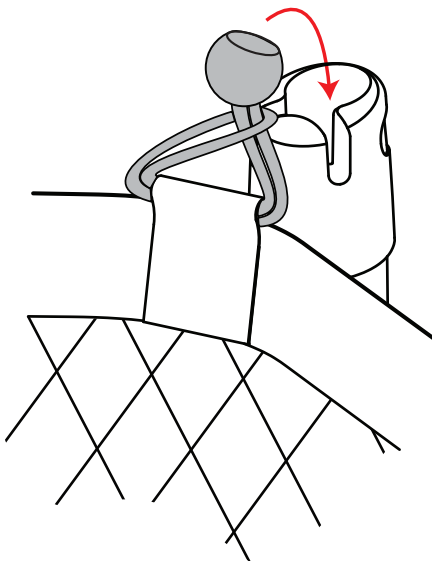
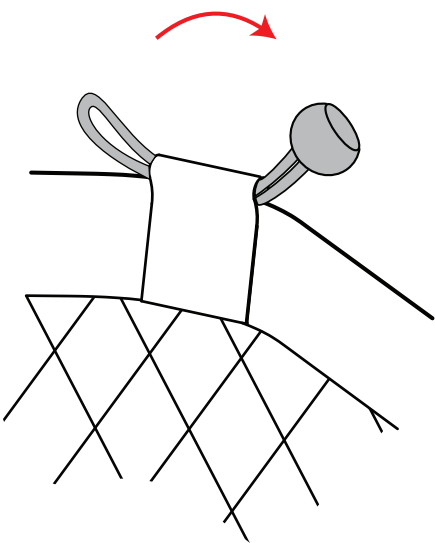


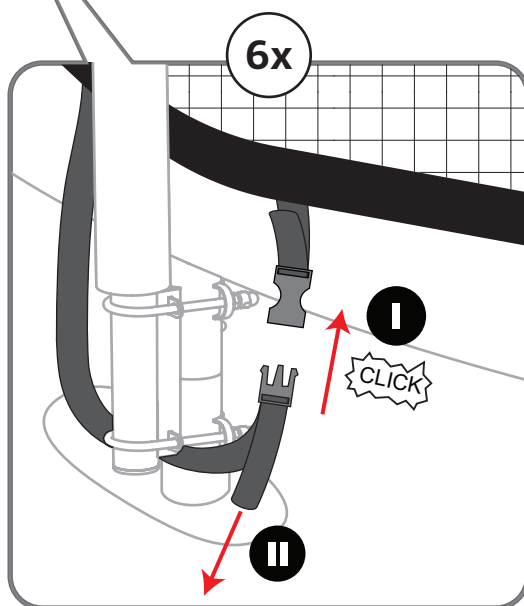
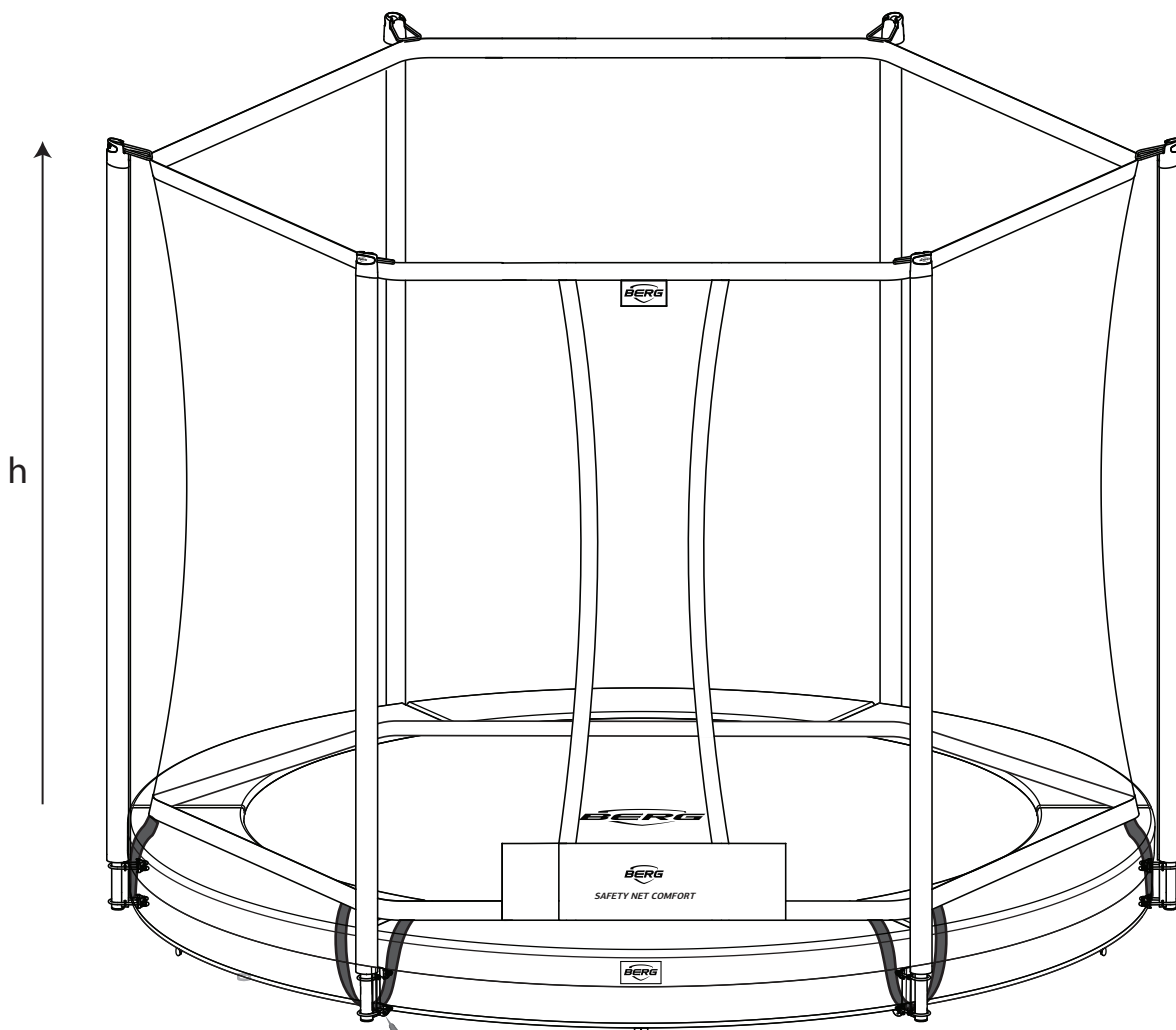
8



9

6x





	h
200	1,5 m
270	1,8 m
330	1,8 m



BERGTOYS.COM

B/N sticker