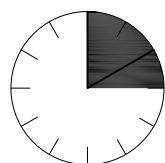
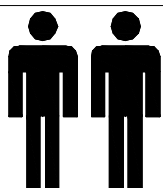
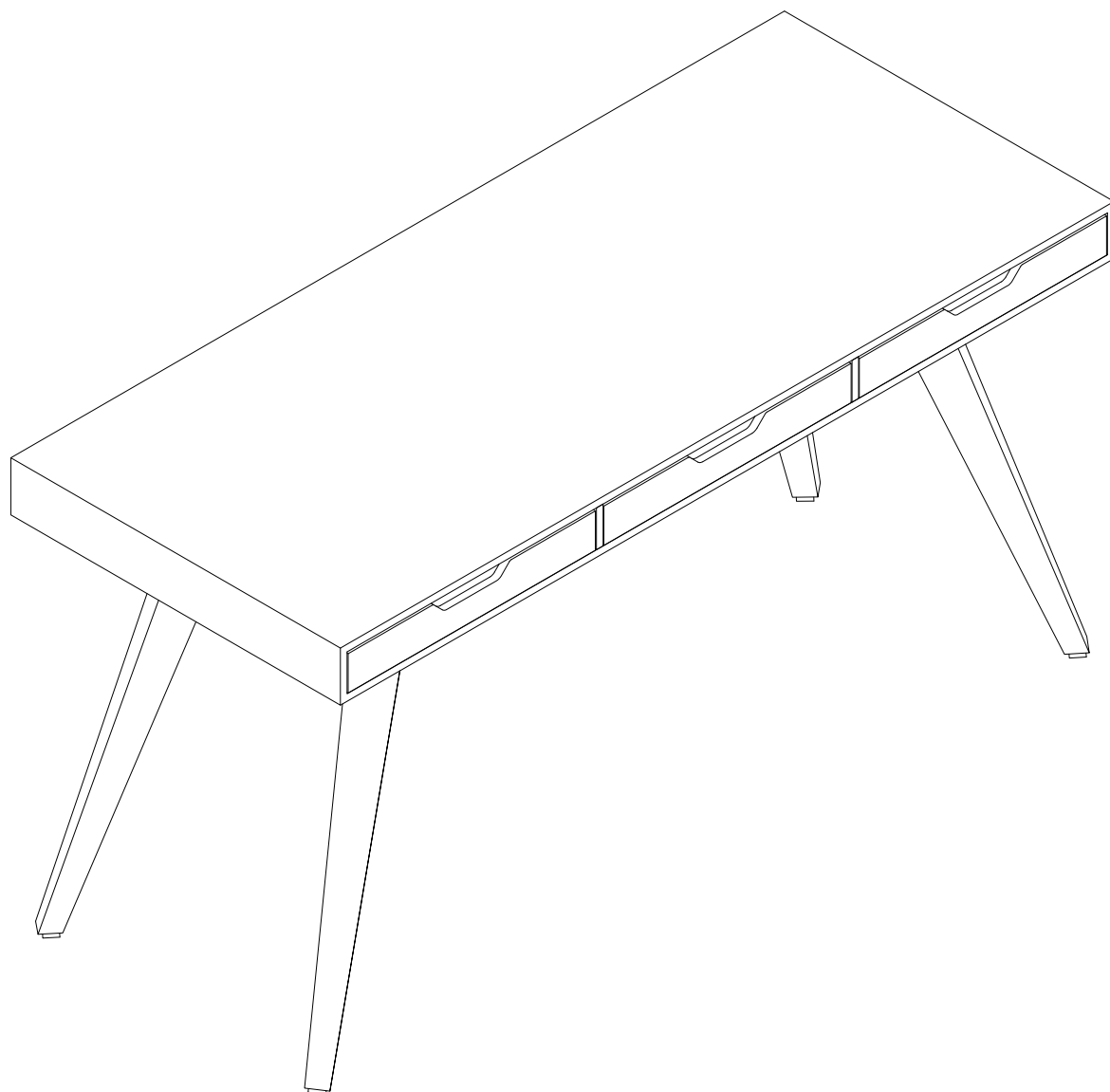
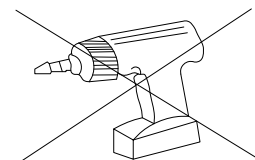
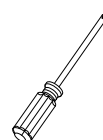
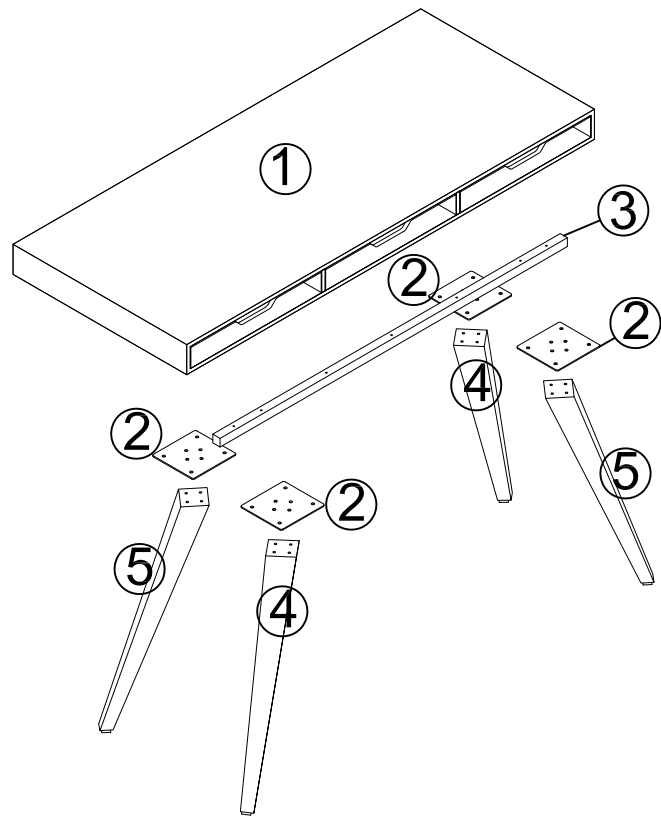


Estelle

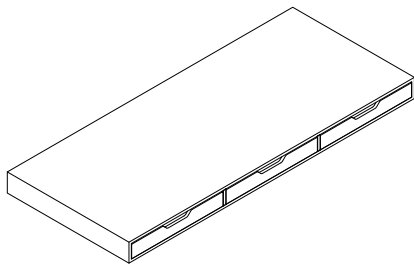


15min





① x1



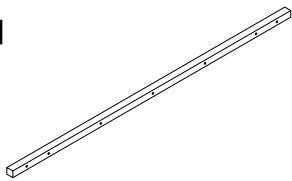
② x4



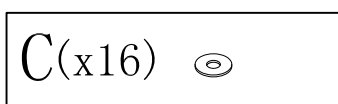
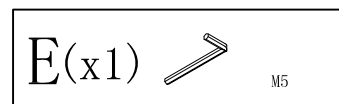
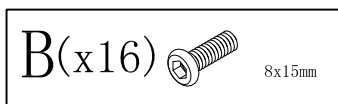
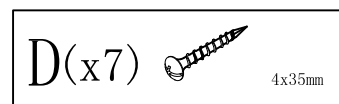
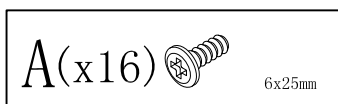
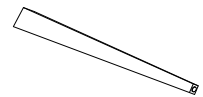
④ x2



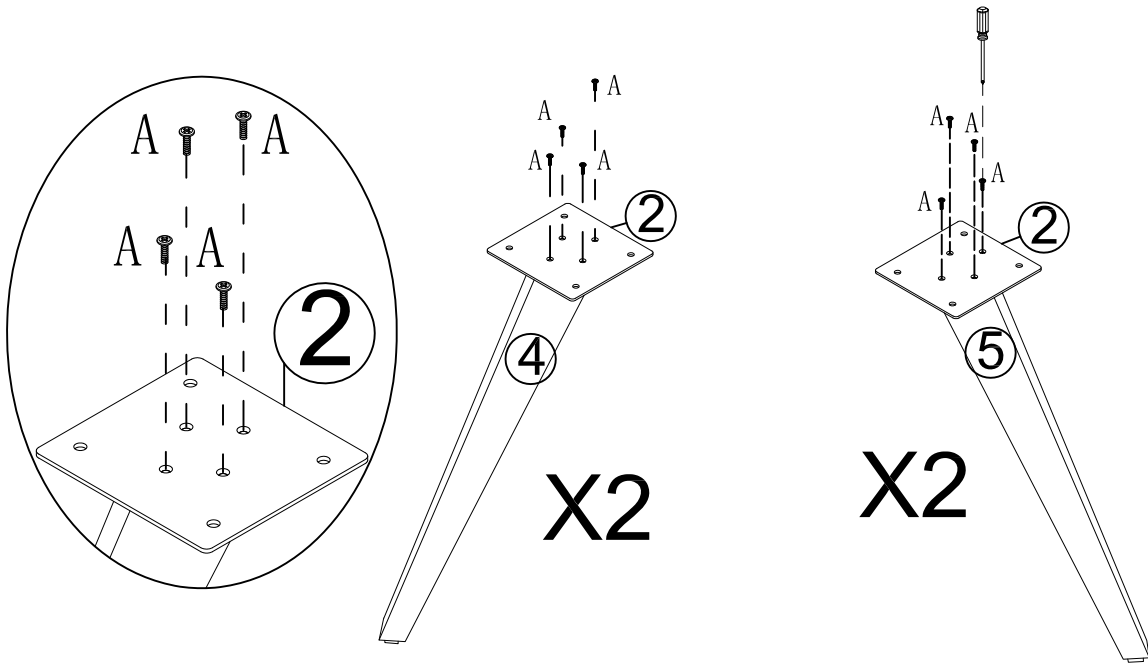
③ x1



⑤ x2

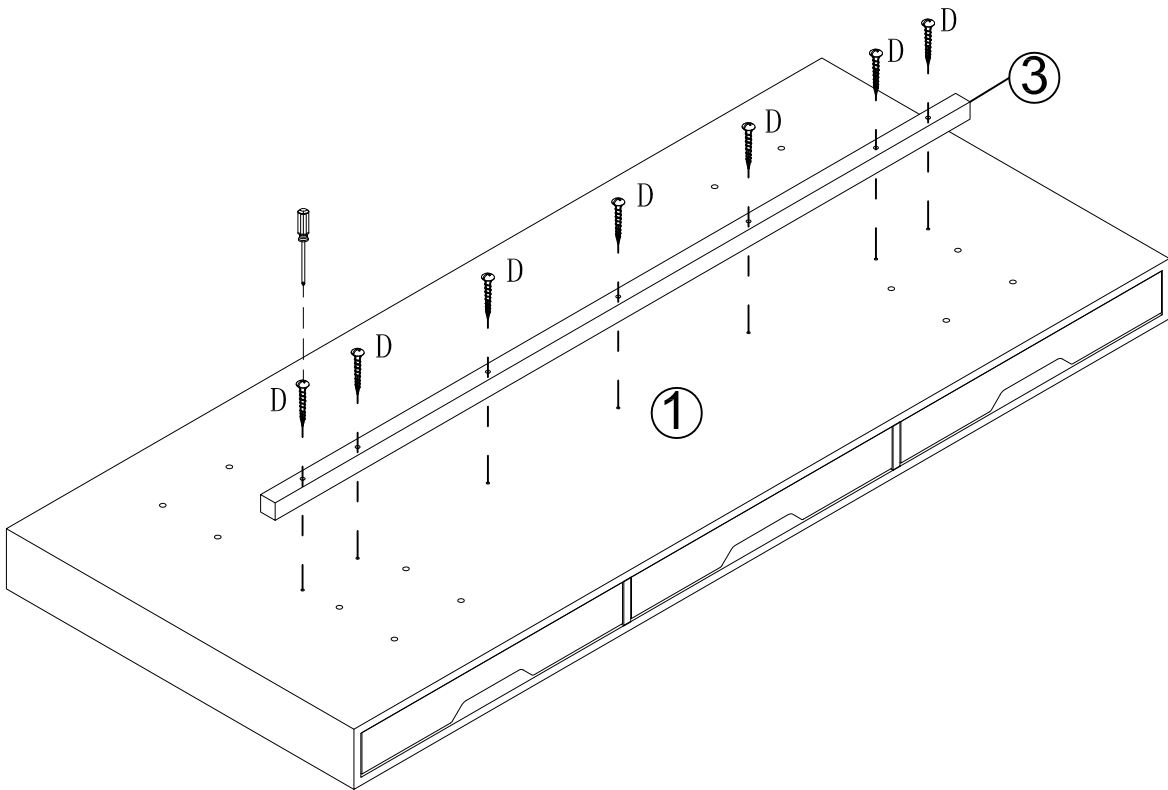


1



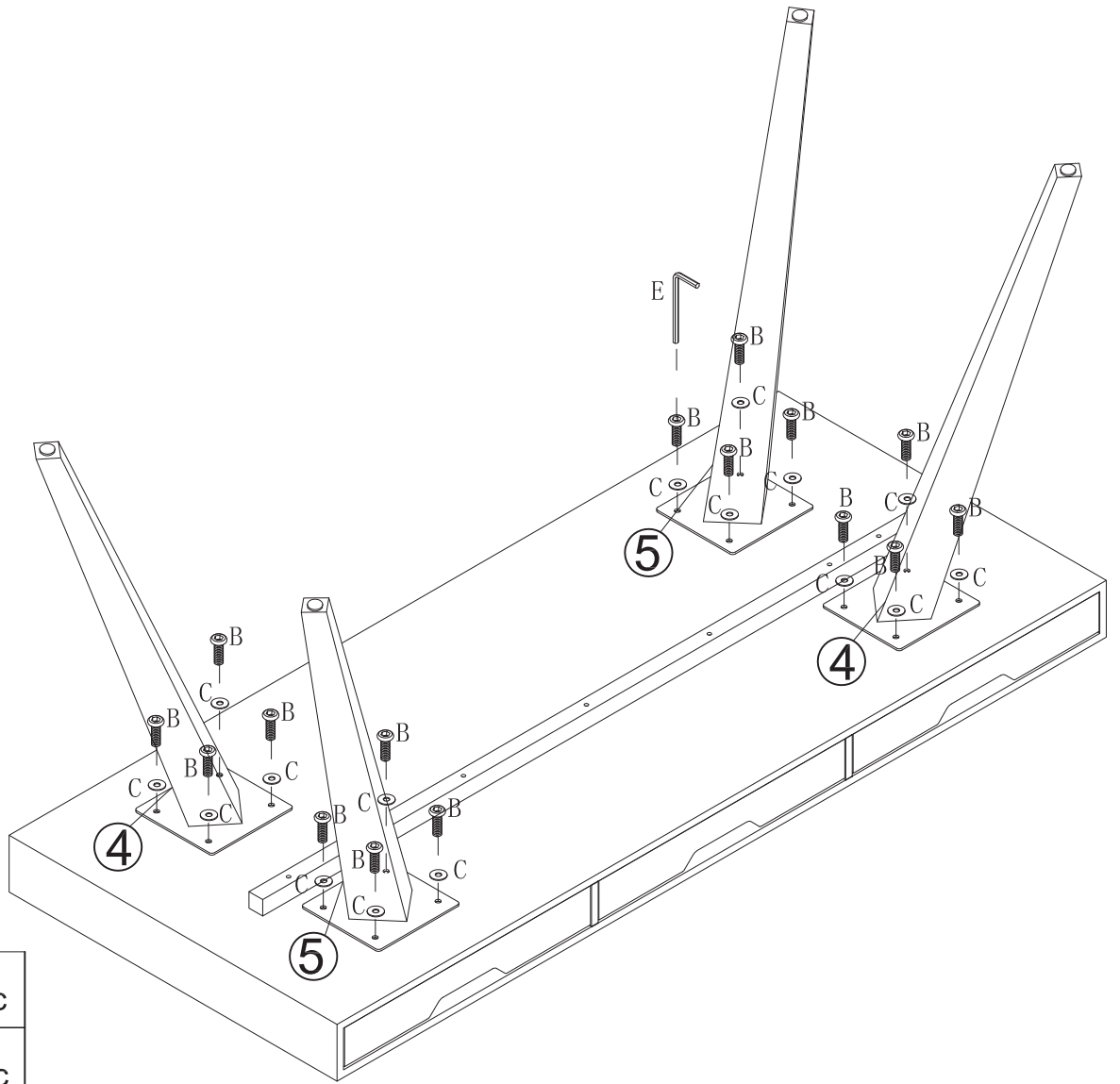
(A)x16pcs

2



(D)x7pcs

3



(B)x16pc



(C)x16pc



(E)x1pc

4

